

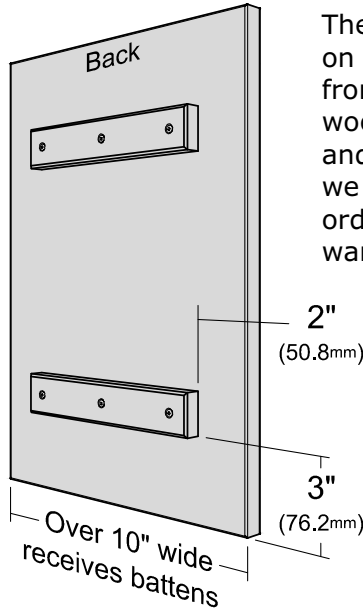


**2** WOOD PRODUCTS  
Slab Fronts

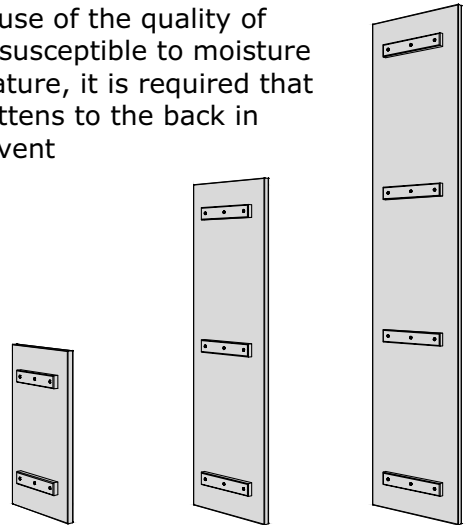
# SLAB DOORS & DRAWER FRONTS

## Solid Wood Slab Doors

WOOD PRODUCTS  
2 Slab Fronts



The default grain direction is vertical on doors and horizontal on all drawer fronts. Because of the quality of wood being susceptible to moisture and temperature, it is required that we apply battens to the back in order to prevent warping.



Two Battens  
Up to 35.99"  
(Up to 914mm)

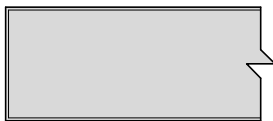
Three Battens  
36" - 71.99"  
(915mm - 1828mm)

Four Battens  
72" - 107.99"  
(1829mm - 2743mm)

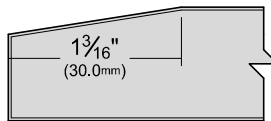
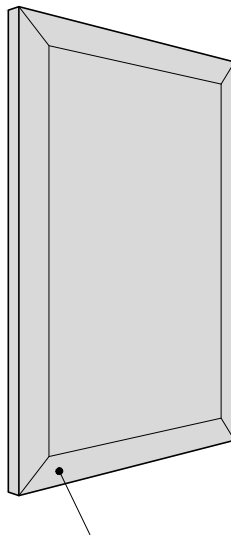
**E912**

(Recommended drawer front: E900)  
See page 32 - 33 for available edge profiles.

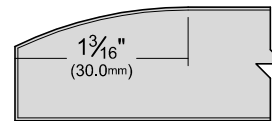
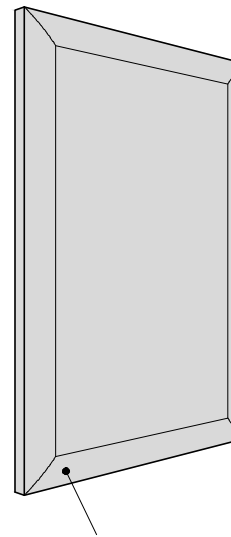
## Veneer Slab Doors & Drawer Fronts



**E9030**



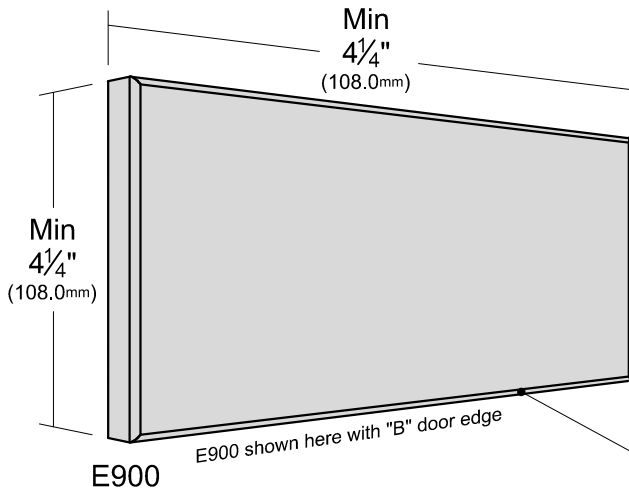
**E9031**



**E9032**

These slab doors and drawer fronts are edge-banded and veneered front and back. Default grain direction is vertical on doors and horizontal on drawer fronts. Horizontal grain is available upon request.

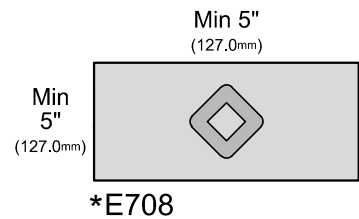
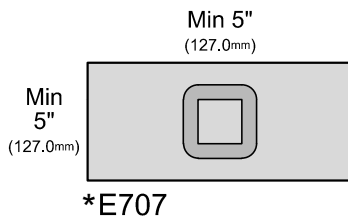
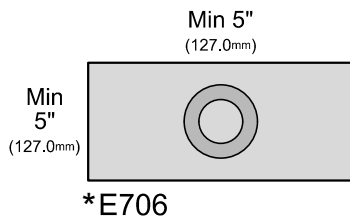
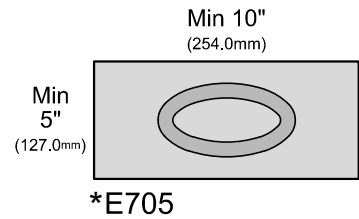
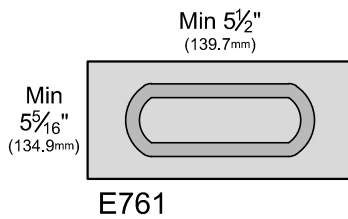
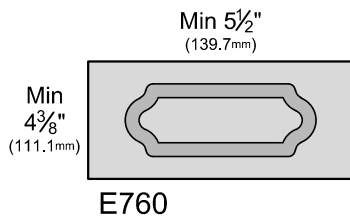
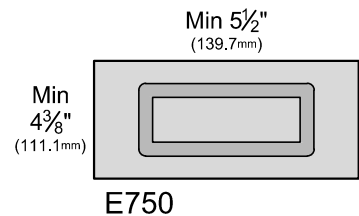
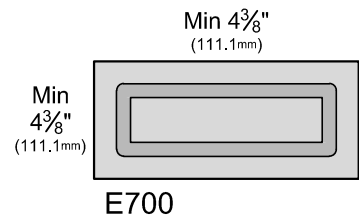
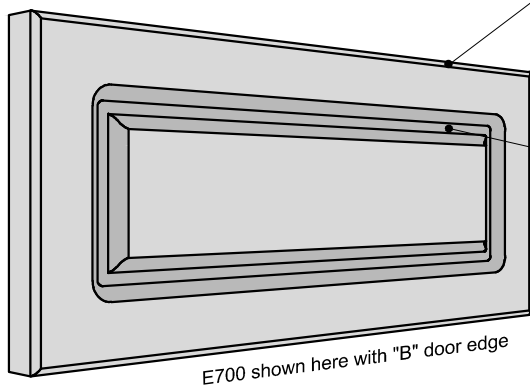
# Solid Wood Slab Drawer Fronts



All slab drawer fronts are 0.8" standard door thickness with the exception of the E954 which is 1 1/16" thick. Default grain direction on all slab drawer fronts is horizontal.

**WOOD PRODUCTS**  
2 Slab Fronts

## Routed Groove Profiles

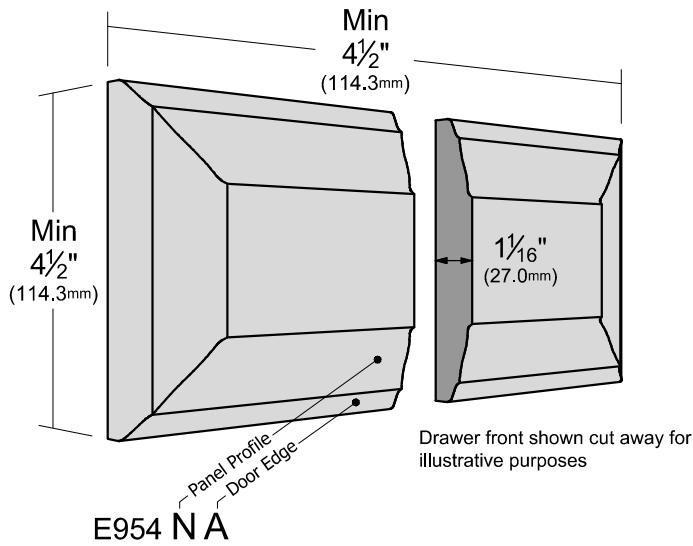
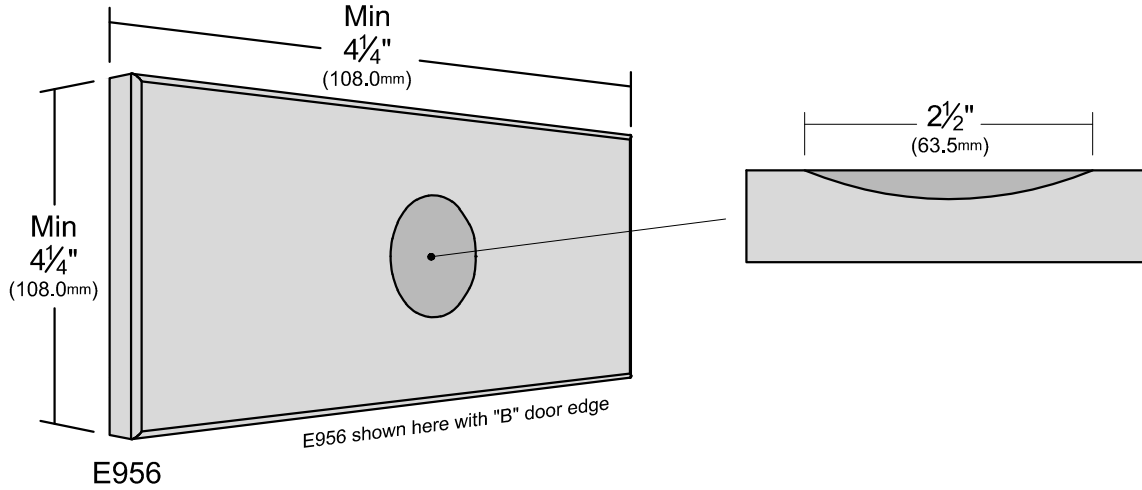


\* Routed Groove Profiles are one size only and do not change with the size of your drawer front.

# WOOD PRODUCTS

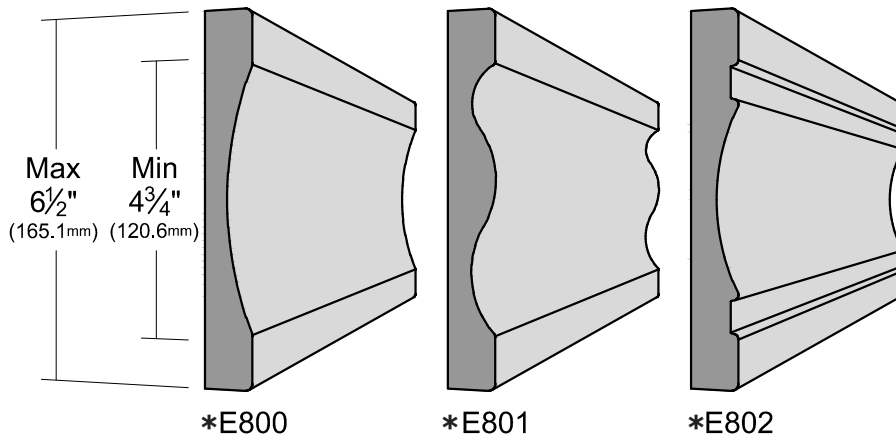
## SLAB DOOR & DRAWER FRONTS - Solid Wood Drawer Fronts

WOOD PRODUCTS  
2 Slab Fronts



Panel Profile Options		
DFN	M	S055
DFO	N	S070
DFR	O	U
L	R	

Door Edge Options		
A	D10	K
B	D13	M
C	D34	T
D	E	V
D01	F	W
D04	G	Y
D05	I	Z
D06	J	



\*Comes standard with a "B" edge.