



2 WOOD PRODUCTS
Drawer Boxes

DRAWER BOXES

WOOD PRODUCTS

DRAWER BOXES - General Information

Ordering

Dovetail Drawer Boxes can be ordered to specifically suit your needs. Whether you prefer to assemble the box yourself or receive it already assembled, either way the product can be produced unfinished or finished.

When ordering, please refer to drawer boxes using WIDTH x DEPTH x HEIGHT, as illustrated in the diagram below.

Tolerances

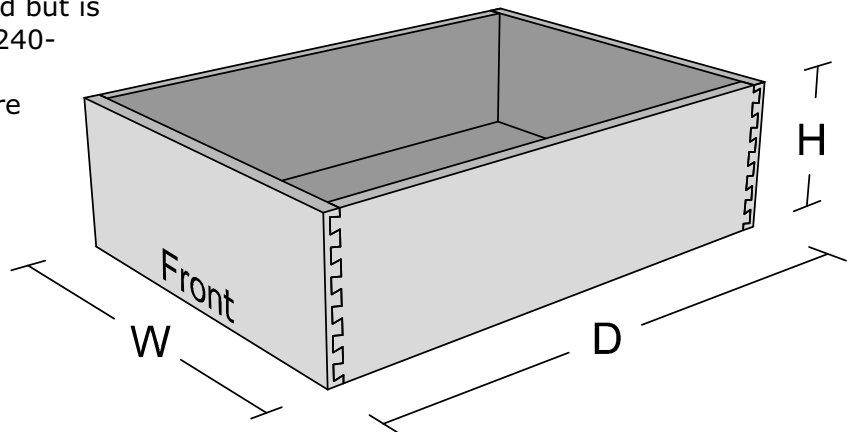
Elias Woodwork warrants that the width and height are to be within +/- 1 mm and the depth to be within +/- 3mm.

Hardware

Drawer box hardware is not included but is available upon request. See pages 240-244 for available options. Call your Customer Service Specialist for more details.

Prefinishing

Elias Woodwork sprays a 35° post catalyst lacquer (conversion varnish) as the standard sheen of clear finish. When the drawer boxes are ordered assembled and prefinished the clear lacquer is applied after the drawer box is assembled. The drawer box is sprayed on the inside and outside but not on the underside. When ordering "prefinished" our standard default is to finish the drawer box with a clear lacquer coating. When a drawer box is ordered unassembled and prefinished the parts will come clear lacquered on all sides. Note that when ordered unassembled and prefinished an adhesive that adheres to lacquer must be used in the assembly process.



Code Explanation

D104 T63 S H B25 N1 R0 A - L K100

- Finishing Option
- Bin Size (S)small, (L)large
- Cutlery/Utensil Insert
- Assembly
- Bottom Recess
- Notching
- Bottom Option
- Hand Pull Option
- Top Edge
- Side Material Option
- Drawer Box Style

WOOD GRADES

Wood Types for Dovetail Boxes

Please read the following descriptions of our wood species and grades carefully when selecting a wood species for your order. If you have more questions regarding color matching or panel stave sizes, please call your Customer Service Specialist. Please also note that because climate and ecosystems across North America are so diverse, no two trees are exactly alike so neither will two boards be exactly alike. If you would like a closer look at a specific grade, we recommend that you order a sample.

Standard Drawer Box Wood Grades

Soft Maple (Our most used material in making Dovetail drawer boxes)

Is our most economical grade of solid wood for making dovetail drawer boxes. Many color and grain variations along with mineral staining and brown heartwood are allowed in this grade. Machining quality is the same as any other grade.

Baltic Birch Plywood

Is our most economical material for wood for making dovetail drawer boxes. The color of the surface veneers is generally white and uniform but some coloration and or football shaped veneer patches are allowable in this product line. Machining quality is the same as any other grade. The edges of the box and dovetails will show the plies of the veneers.

Special Drawer Box Wood Grades

Select Red Oak

Is our standard grade of Oak. Color and grain variations are held to closer tolerances. The color is fairly uniform and well matched. Moderate color variations are allowed between boxes. A few of the smallest pin knots are allowed in this grade and is considered normal.

Select White Maple

Is our standard grade of Maple. Color and grain variations are only tolerated to a limited degree. The color is fairly uniform and well matched. Moderate color variations are allowed between staves. A few of the smallest pin knots may be allowed in this grade and is considered normal.

Natural Cherry

Is our most economical grade of Cherry. A variety of color and grain variations including sapwood and a moderate amount of pitch marks and or pin knots are allowed so as to make an attractive drawer box with lively character.

Select Cherry

Is our standard grade of Cherry. Color and grain variations are only tolerated to a limited degree. The color is fairly uniform with little or no sapwood and well matched. Moderate color variations are allowed between staves. A few small pitch marks and/or pin knots may be allowed and some sapwood and or mineral streaks may be found in machined areas.

Premium Hickory

For this calico species the sapwood and heartwood are matched and blended to flow through the panel in such a way as to minimize abrupt color changes along lamination lines. The color varies from a light brown to nearly white.

Clear Alder

Colors will be fairly uniform with consistent grain structure. This grade of Alder is free of knots and light brown in color.

Select Walnut

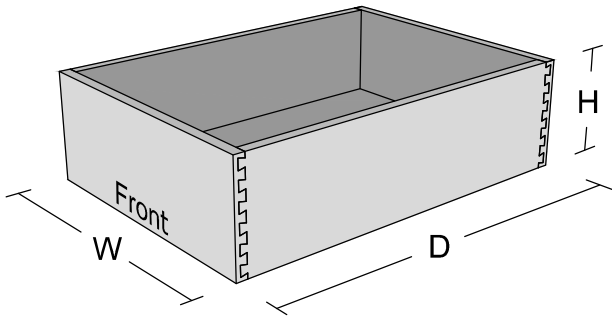
Is our standard grade of Walnut. Color and grain variations are tolerated to a limited degree. The color variation is fairly uniform on all four sides of the drawer. A few pin knots and small knot clusters may be allowed if overall color is consistent.

Other species are available upon request. Please speak to your Customer Service Specialist for more information.

Drawer Box Shapes

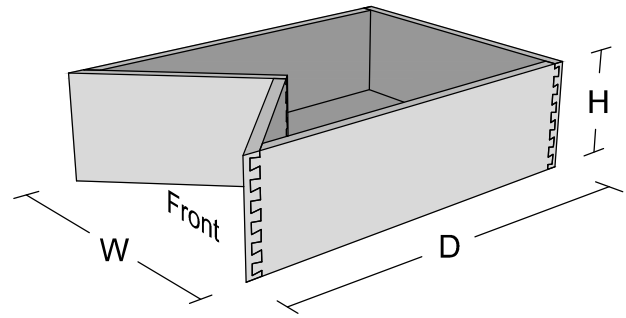
D104

This is our standard dovetail drawer box which is entirely ordered to custom sizes. This dovetail drawer box is intended to have a drawer front installed to the face. If this box is ordered with the clear lacquer option, it will be sprayed after assembly.



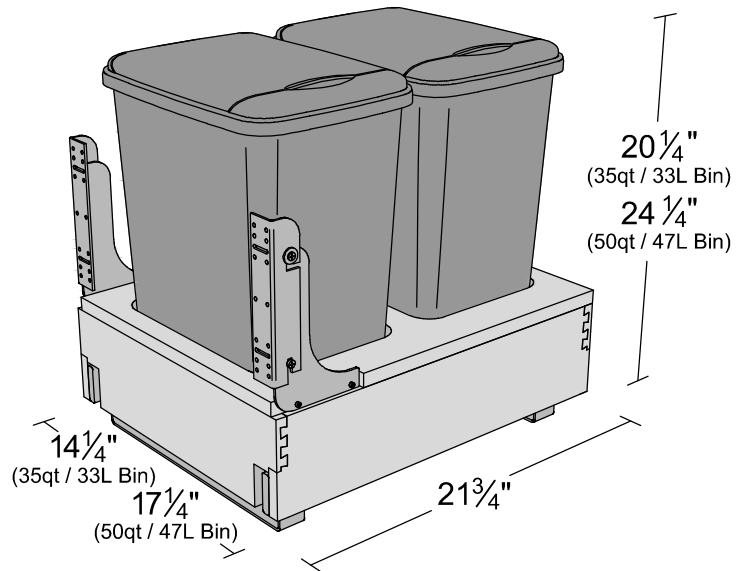
D120

This is a corner drawer box with a square back. This corner drawer box has dovetails on all five corners of the box. This box is intended to have a drawer front installed to the face of the dovetail drawer box.



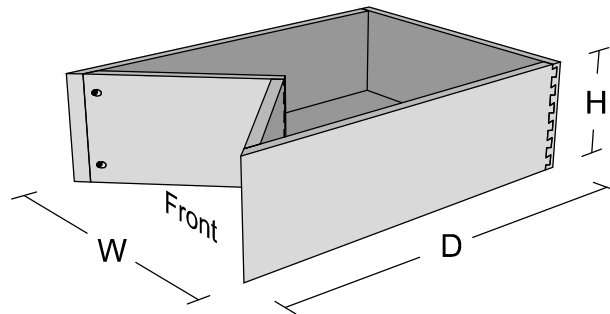
D112S/L

This is our recycling / trash container dovetail drawer box. The dovetail box portion comes in one standard height with built-in door mount brackets and either a D12S 35 quart (33 liters) or D12L 50 quart (47 liters) trash/recycling containers. The Dovetail box width depends on the size of container. The overall height also changes depending on the container size. The depth remains a standard 21 3/4" for both size containers. White and green lids are optional accessories.



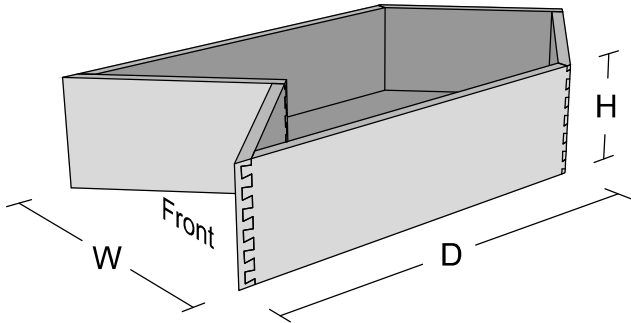
D123

This is a corner drawer box with a square back. This corner box has dovetail construction on the back of the box and butt joint on the face and is joined together with a steel wood screw fastener. This construction helps reduce the cost of the corner drawer when compared to the dovetail construction. This box is intended to have a drawer front installed to the face of the dovetail drawer box.



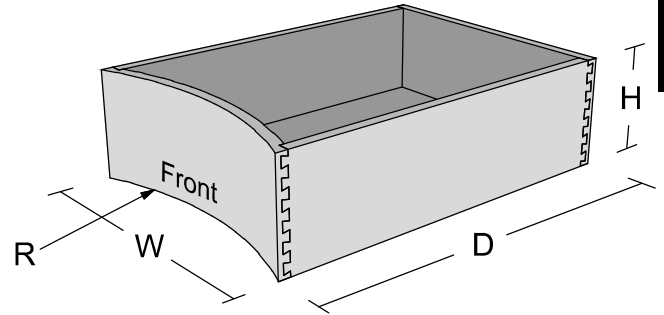
D125

This is a dovetail corner drawer box with a "V" back. The D125 has a dovetail joint on all six corners making this box a work of art and setting a high level of quality in box making. This box is intended to have a drawer front installed to the face. Drawer hardware needs to be attached to the dovetail box to function in the cabinet. Hardware is not included.



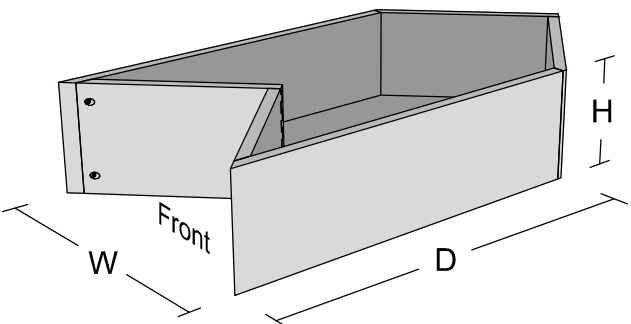
D130

This dovetail drawer box has a concave face (radius needs to be specified). This box has the dovetail joints on all four corners, making this radius front drawer a stunning piece of art. This box is intended to have a drawer front installed to the face. Drawer hardware needs to be attached to the dovetail box to function in the cabinet. Hardware is not included.



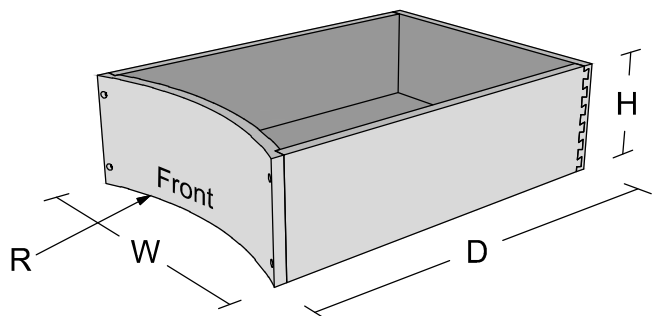
D126

This is a corner drawer box with a "V" back. The D126 differs from the D125 in that only the two ninety degree inside joints are dovetailed together, the four outside joints are butt joints and held in place by wood screws. The reason for this assembly method is to keep the costs lower. Keep in mind that the screw holes are covered when the drawer front is attached. This box is intended to have a drawer front installed to the face. Drawer hardware needs to be attached to the dovetail box to function in the cabinet. Hardware is not included.



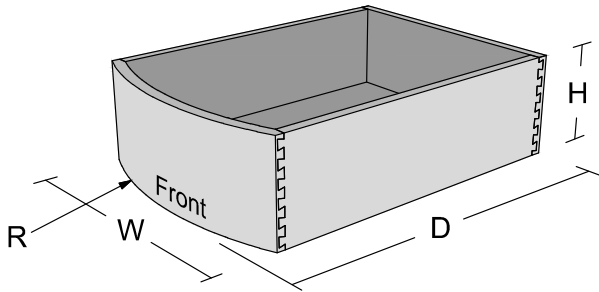
D132

This drawer box has a concave face (radius needs to be specified). This box has the dovetail joints on the back of the box and has a butt joint on the front that is screwed together with wood screws. This helps reduce the cost of the box. Keep in mind that the screws get covered when the drawer front is attached. This box is intended to have a drawer front installed to the face. Drawer hardware needs to be attached to the dovetail box to function in the cabinet. Hardware is not included.



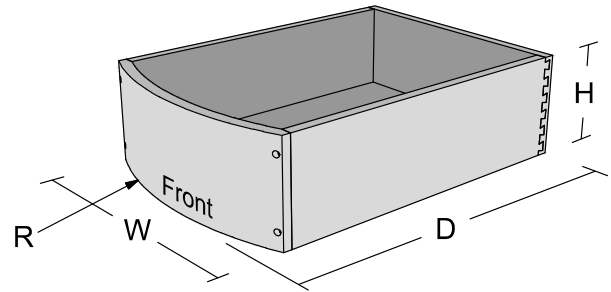
D131

This dovetail drawer box has a convex face (radius needs to be specified). This box has the dovetail joints on all four corners, making this radius front drawer a stunning piece of art. This box is intended to have a drawer front installed to the face. Drawer hardware needs to be attached to the dovetail box to function in the cabinet. Hardware is not included.



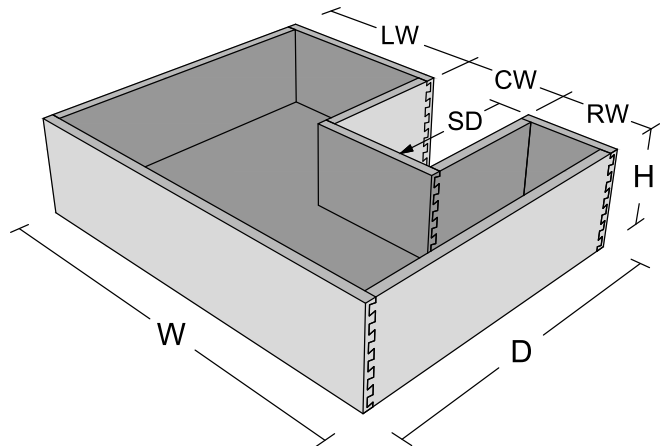
D133

This dovetail drawer box has a convex face (radius needs to be specified). This box has the dovetail joints on the back of the box and has a butt joint on the front that is screwed together with wood screws. This helps reduce the cost of the box. Keep in mind that the screws get covered when the drawer front is attached. This box is intended to have a drawer front installed to the face. Drawer hardware needs to be attached to the dovetail box to function in the cabinet. Hardware is not included.



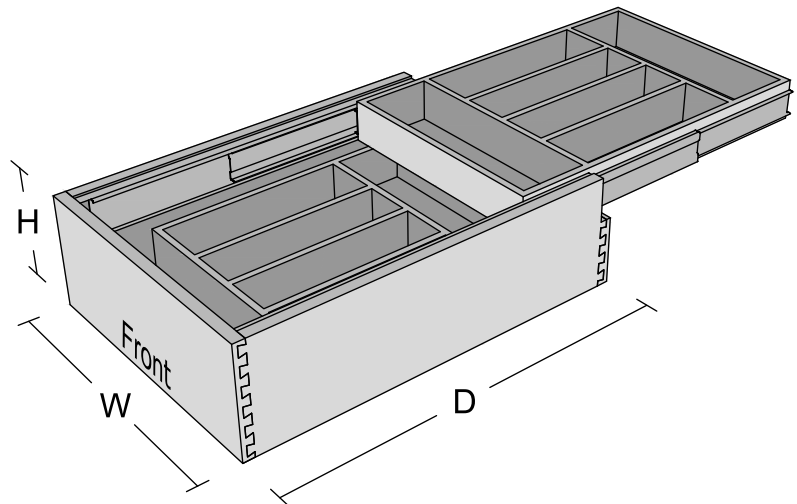
D140

This drawer box is intended for an under sink application to accommodate plumbing fixtures. It can be customized to accommodate the space needed for your plumbing. All 8 corners are dovetailed for optimal construction. This box is intended to have a drawer front installed to the face of the dovetail drawer box. If this box is ordered with clear lacquer, it will be sprayed after assembly.



D141

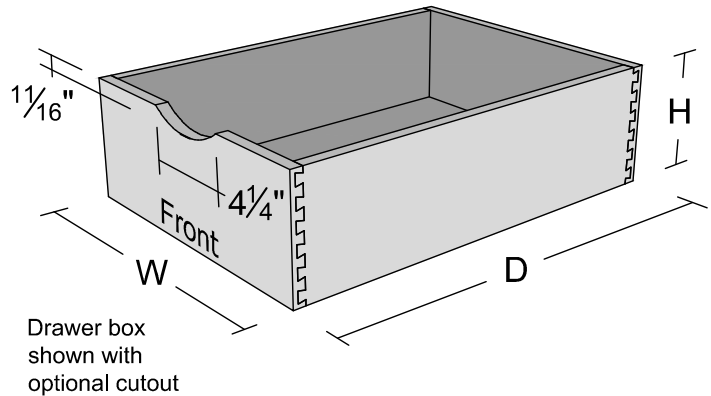
This double tiered cutlery drawer is a must for the space conscious home owner. These two dovetailed boxes each feature carefully planned, built in cutlery dividers. The kit also includes full extension hardware on the top tier so it can be pushed completely out of the way giving full access to the bottom tier. This box is intended to have a drawer front installed to the face of the dovetail drawer box. Minimum standard height is 5".



Pullouts

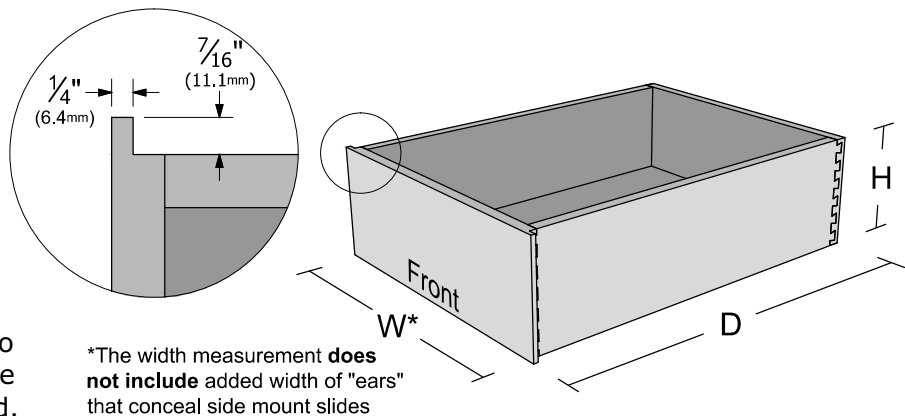
D102

This is a pullout dovetail drawer box that is not intended to have a drawer front installed to the face therefore greater attention is given to the color selection on the front of the pullout. This option does not have side mount hardware covering "ears" on the front face (see D103 for this pullout option). Drawer hardware needs to be attached to the dovetail box to function in the cabinet. Hardware is not included.



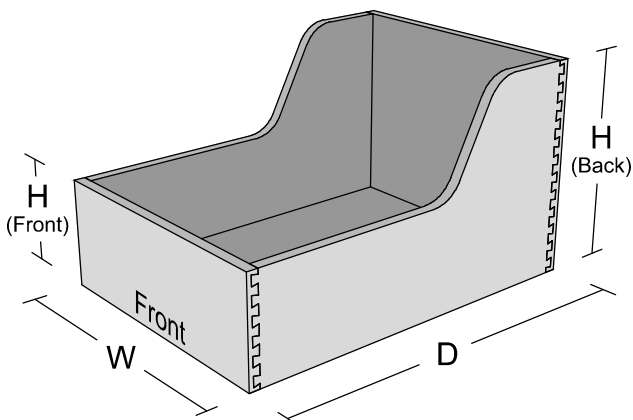
D103

This is a pullout dovetail drawer box that is not intended to have a drawer front installed to the face therefore greater attention is given to the color selection on the front of the pullout. This option does have side mount hardware covering "ears" on the front face. Drawer hardware needs to be attached to the dovetail box to function in the cabinet. Hardware is not included.



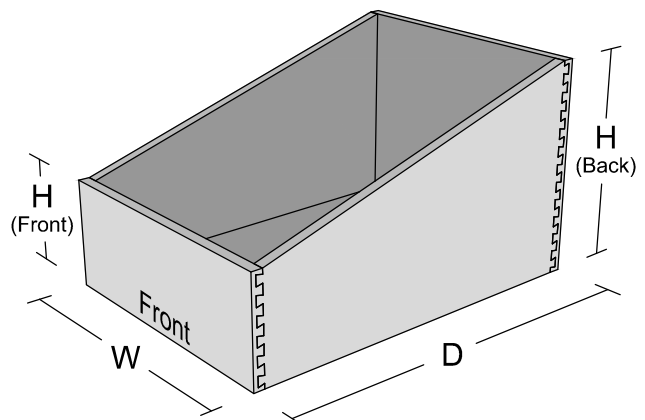
D115

This is a dovetail pullout that comes with a scalloped elevation to the back of the box. This box is not intended to have a drawer front installed to the face therefore greater attention is given to the color selection on the front of the pullout. This option does not have side mount hardware covering "ears" on the front face. Drawer hardware needs to be attached to the dovetail box to function in the cabinet. Hardware is not included.



D117

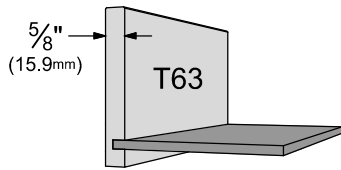
This is a dovetail pullout that comes with a tapered elevation to the back of the box. This box is not intended to have a drawer front installed to the face therefore greater attention is given to the color selection on the front of the pullout. This option does not have side mount hardware covering "ears" on the front face. Drawer hardware needs to be attached to the dovetail box to function in the cabinet. Hardware is not included.



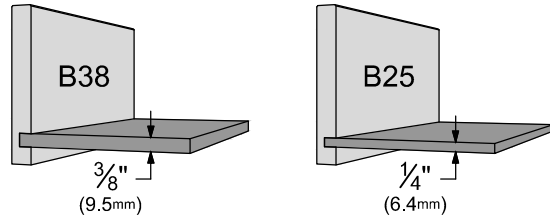
Drawer Box Options

WOOD PRODUCTS
2 Drawer Boxes

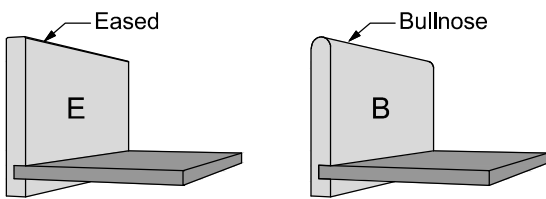
Drawer side material



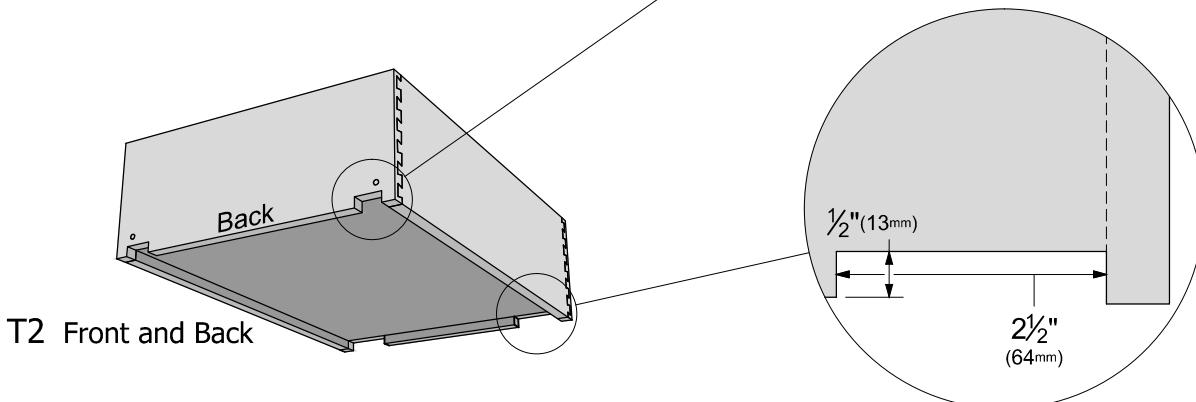
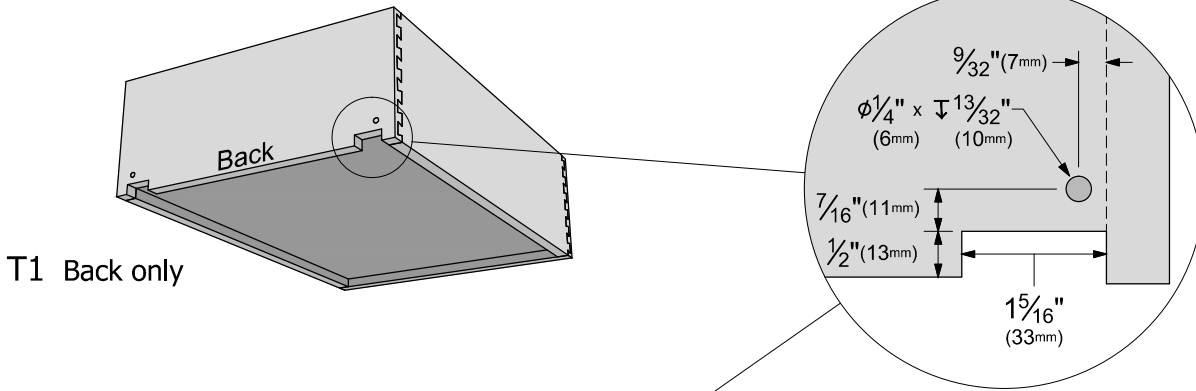
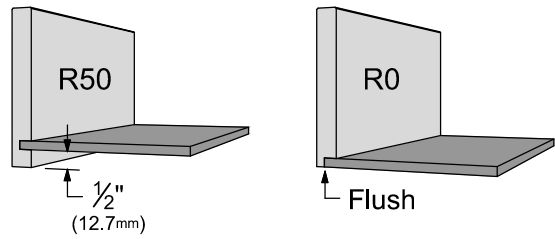
Bottom panel thickness options



Drawer side material top edge options



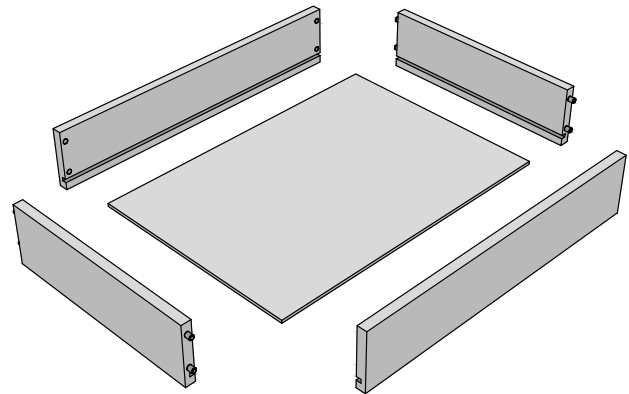
Bottom panel recess options



Doweled Drawer Boxes

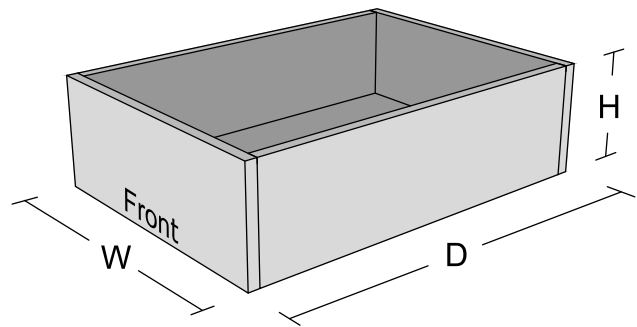
D300

The D300 Birch Plywood drawer box comes unassembled to save freight costs with pre-glued dowels inserted for quick and easy assembly. However, pre-assembled boxes are available upon request. Standard options include 5/8" Birch Plywood sides with edge banding on the top edge, and a 1/4" thick plywood bottom that is recessed in a 1/2". These boxes are designed for side mount slides only. The D300 boxes come with a clear lacquer finish only.



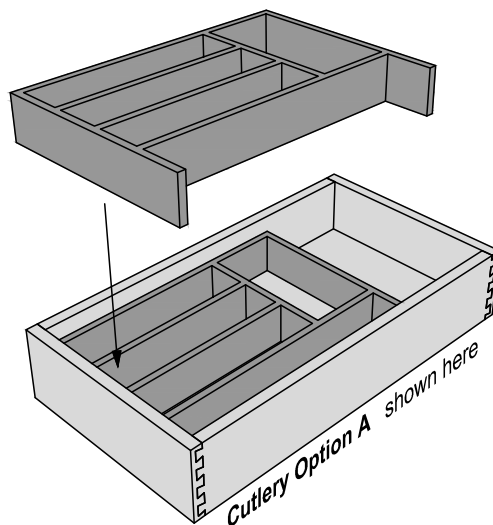
D301

The D301 Birch Plywood drawer box pullout comes unassembled to save freight costs with pre-glued dowels inserted for quick and easy assembly. However, pre-assembled boxes are available upon request. The D301 pullout is constructed with a front which runs the full width of the box, creating a finished front look for pullout application. Standard options include 5/8" Birch Plywood sides with edge banding on the top edge, and a 1/4" thick plywood bottom that is recessed in a 1/2". These boxes are designed for side mount slides only. Under mount notching is not available. Other options such as cutlery, spice and knife block inserts, and branding are available. The D301 boxes come with a clear lacquer finish only.

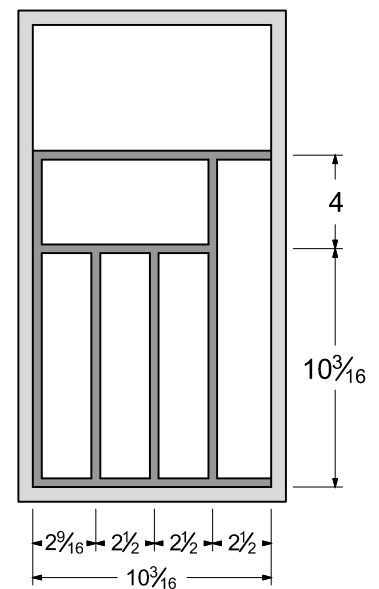


Insert Options

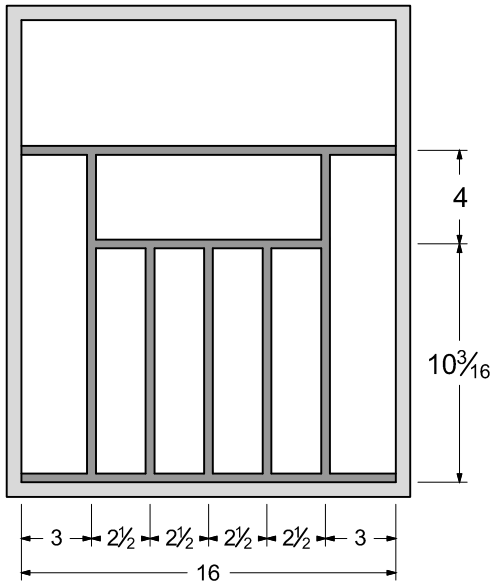
Our cutlery and utensil inserts come in 5 standard configurations, 3 designed for cutlery drawers, and 2 designed for utensil drawers. However, custom configurations are available, just send us a drawing or a sketch! The insert itself is constructed of 3/8" thick by 2 3/16" high solid wood in the species of your choice. These are standard dimensions, but again, custom sizes are available. The Cutlery / Utensil inserts are removable for easy cleaning and flexibility.



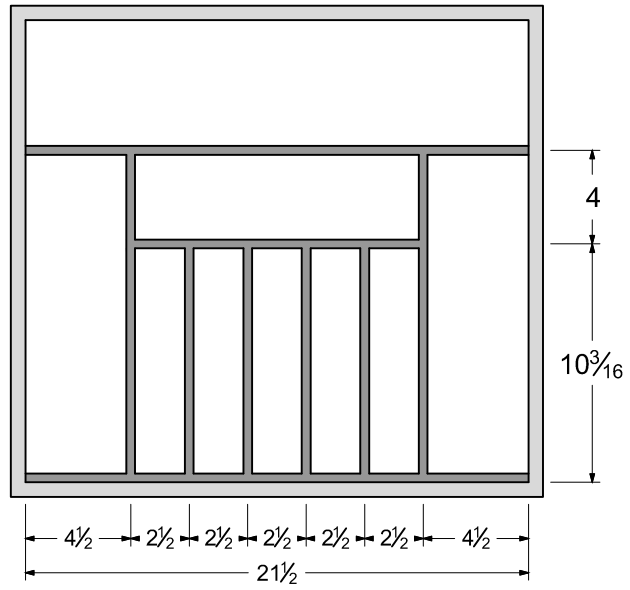
Cutlery Option A - CA



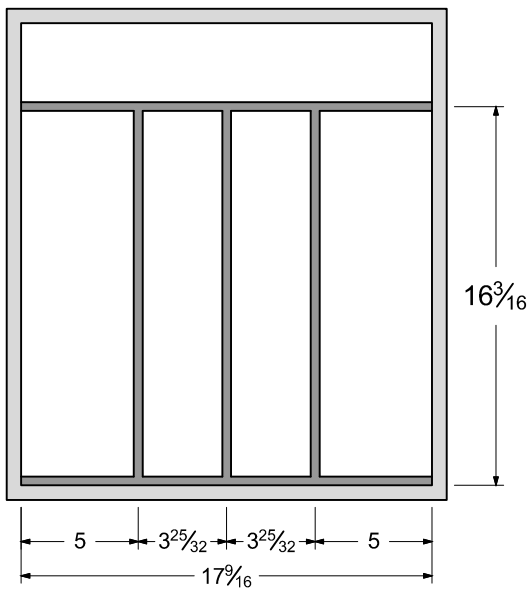
Cutlery Option B - CB



Cutlery Option C - CC



Utensil Option A - UA



Utensil Option B - UB

