



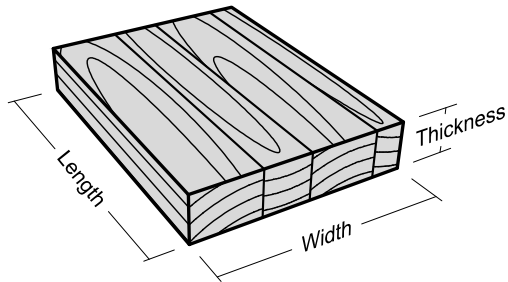
WOOD PRODUCTS

ACCESSORIES - Laminated Slabs / Bread Boards

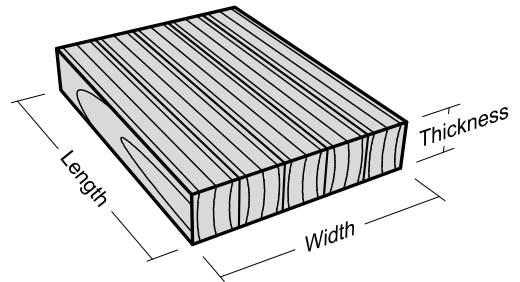
All accessories are available in different species and can be ordered raw or prefinished. Custom sizes are available. Some restrictions may apply. Please contact your Customer Service Specialist for more details. Images in this section are not shown to scale.

Laminated Slabs

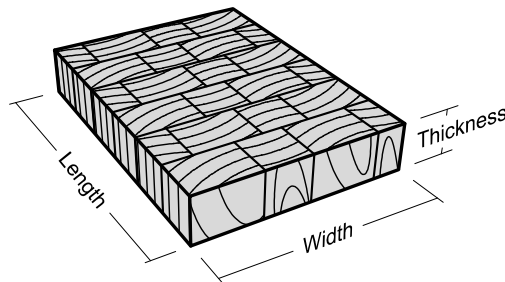
Face Grain Slab (Flat Cut) - **FCS**



Edge Grain Slab (Quarter Sawn) - **QSS**



End Grain Slab - **EGS**



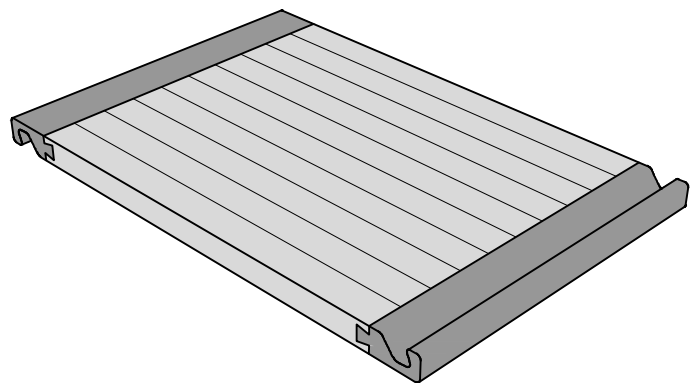
Please note: Grain direction = length of slab. All laminated slabs are available prefinished.

Bread & Cutting Boards

Bread Board

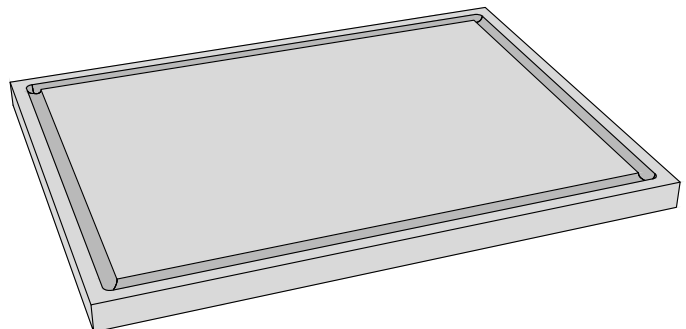
3/4" thick solid maple cutting board with 1-1/2" dovetailed finger pulls on each end. The finger pull is available in any wood species to match your cabinets and can be prefinished. The cutting surface is left unfinished and should be treated with linseed oil.

Please note: length of pull = width of board.



Cutting Board

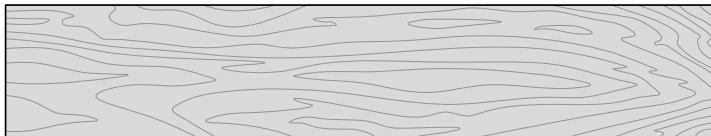
1" thick solid wood board available in the species of your choice. Custom sized with optional border groove. The cutting surface is left unfinished and should be treated with linseed oil. Clear bumpers are included.



Valances

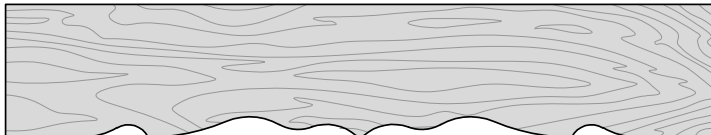
Custom valances are available built to the required size and also prefinished. Call your Customer Service Specialist for quote.

Straight Valance - VS



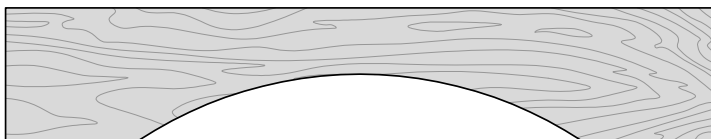
Standard Valance height is 6", custom heights are available, any length available from 16" to 96". Standard thickness is 0.8".

Scalloped Valance - VF



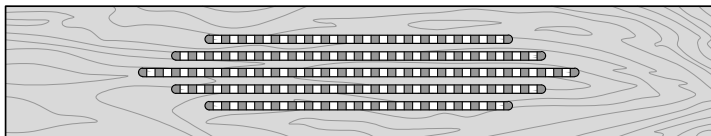
Standard Valance height is 6", custom heights are available, any length available from 16" to 96". Standard thickness is 0.8".

Windsor Valance - VW



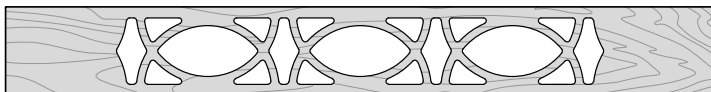
Standard Valance height is 6", custom heights are available, any length available from 16" to 96". Standard thickness is 0.8".

Empire Valance - VE



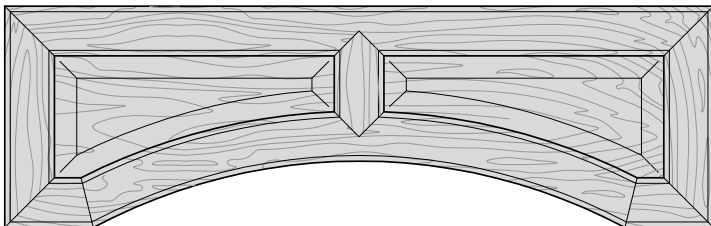
Standard Valance height is 6", custom heights are available, any length available from 20" to 96". Standard thickness is 0.5".

Lacewood Valance - VL



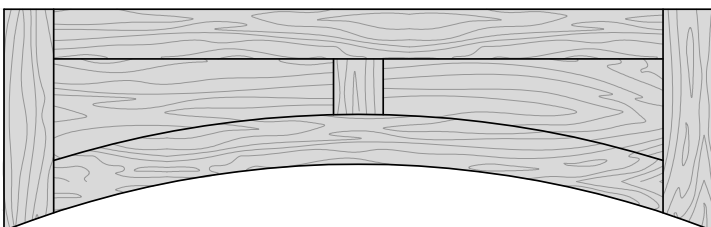
Standard Valance height is 3 13/16", custom heights are available, any length available from 16" to 96". Standard thickness is 0.5".

Roman Valance - VR



Can be ordered in a Tenon or Miter construction. Specify wood species and construction options. See pages 26-31 for tenon profile/panel options. See pages 40-58 for miter profile options. See pages 29-31 for panel options.

Florentine Valance - VN



Can be ordered in a Tenon or Miter construction. Specify wood species and construction options. See pages 26-31 for tenon profile/panel options. See pages 40-58 for miter profile options. See pages 29-31 for panel options.

Corbels Images are not to scale. Measurements are shown as width by height by depth.

WOOD PRODUCTS
 2 Accessories



8000
 3"x5"x2½"
 (76.2 x 127 x 63.5mm)



8005
 3"x9"x3½"
 (76.2 x 228.6 x 88.9mm)



8020
 3½"x12¼"x8"
 (88.9 x 311.15 x 203.2mm)



8080
 5½"x12½"x8"
 (139.7 x 317.5 x 203.2mm)



8050
 4½"x10½"x3"
 (114.3 x 266.7 x 76.2mm)



8010
 4½"x10"x5½"
 (114.3 x 254 x 139.7mm)



8090
2⁷/₈"x13"x9¹/₈"
(73 x 330.2 x 231.8mm)



8100
3¹/₂"x13¹/₂"x8"
(8.9 x 342.9 x 203.2mm)



8008
3"x6"x2³/₄"
(76.2 x 152.4 x 69.85mm)



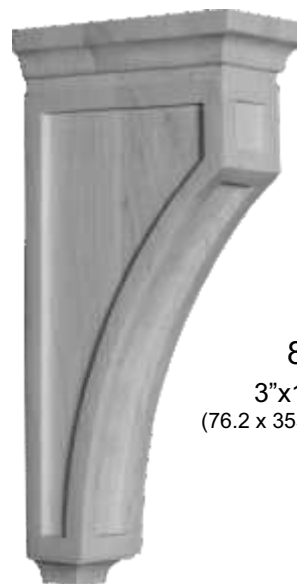
8013
6"x9"x4"
(152.4 x 228.6 x 101.6mm)



8023
3¹/₂"x12¹/₄"x8"
(88.9 x 311.15 x 203.2mm)



8083
5¹/₂"x12¹/₂"x8"
(139.7 x 317.5 x 203.2mm)



8700
3"x14"x6¹/₂"
(76.2 x 355.6 x 165.1mm)

WOOD PRODUCTS
ACCESSORIES - Corbels

2 WOOD PRODUCTS
Accessories



8002
3"x5"x2½"
(76.2 x 127 x 63.5mm)



8030
4½"x10"x5½"
(114.3 x 254 x 139.7mm)



8015
3"x9"x3½"
(76.2 x 228.6 x 88.9mm)



8055
4½"x10½"x3"
(76.2 x 152.4 x 69.85mm)



8025
3½"x12¼"x8"
(88.9 x 311.15 x 203.2mm)



8085
5½"x12½"x8"
(139.7 x 317.5 x 203.2mm)

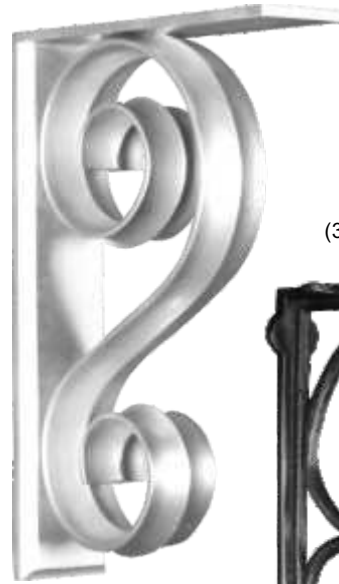


8728
3"x12"x6½"
(76.2 x 304.8 x 165.1mm)



8721
1 3/4" x 12" x 9"
(44.45 x 304.8 x 228.6mm)

8722
1 3/4" x 6" x 6"
(44.45 x 152.4 x 152.4mm)

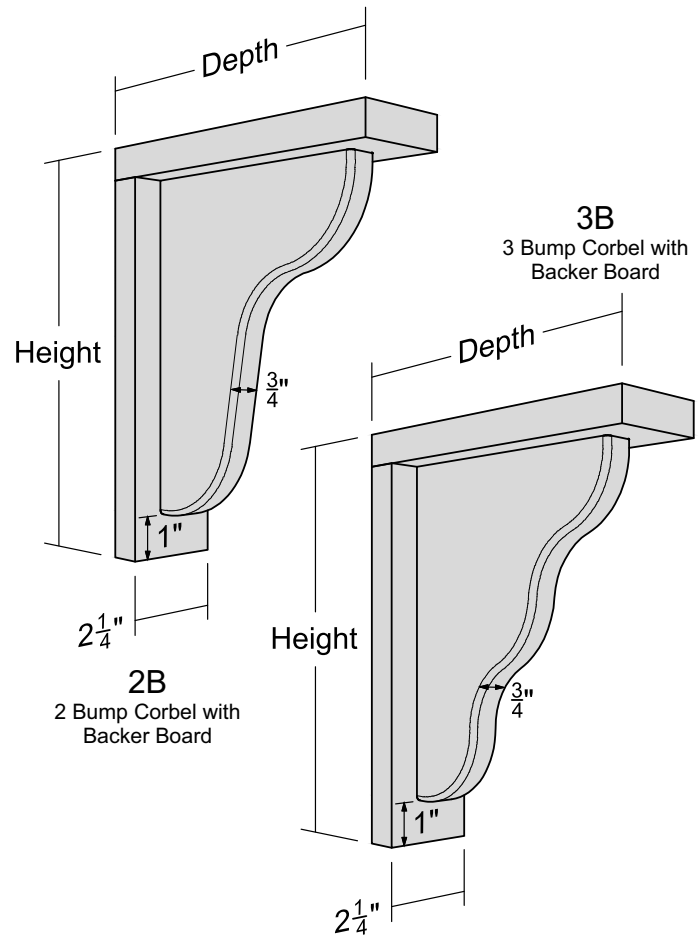
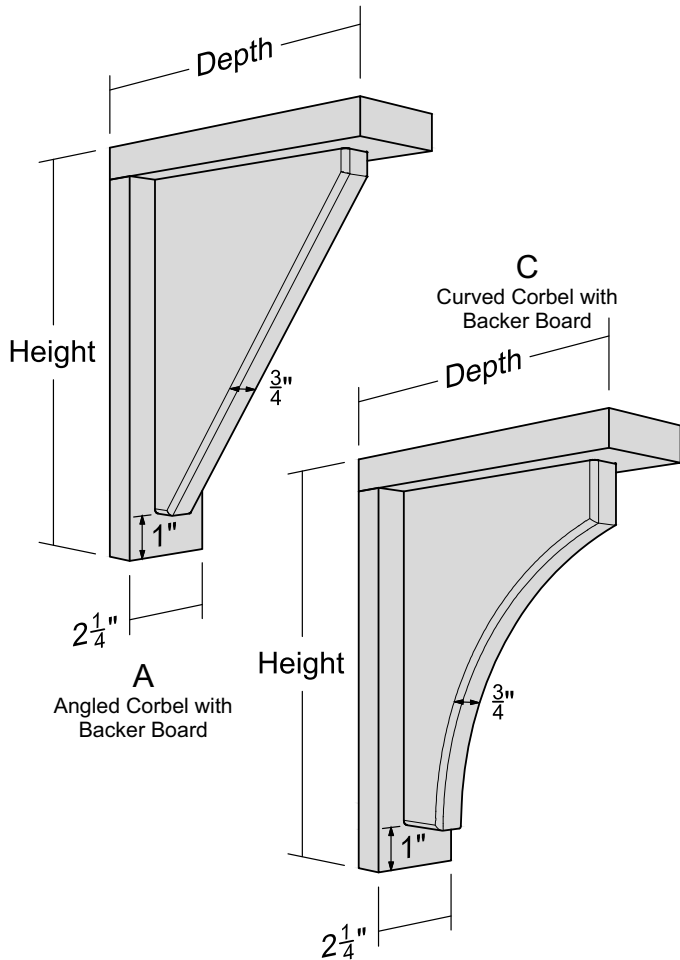


8900-AL
Brushed Aluminum
8900-BL
Flat Black
8900-BR
Bronze
2 1/2" x 12 1/4" x 8"
(63.5 x 311.15 x 203.2mm)

8925-ACI
Antique Cast Iron
8925-BL
Cast Iron Flat Black
1 1/2" x 12 1/4" x 8 1/4"
(38.1 x 311.15 x 209.55mm)

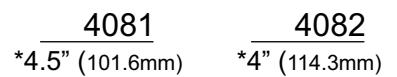
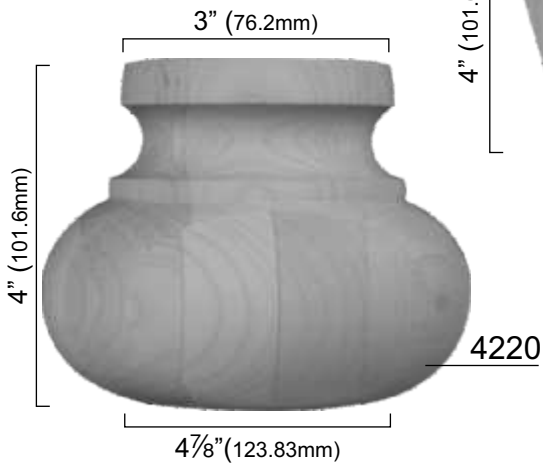
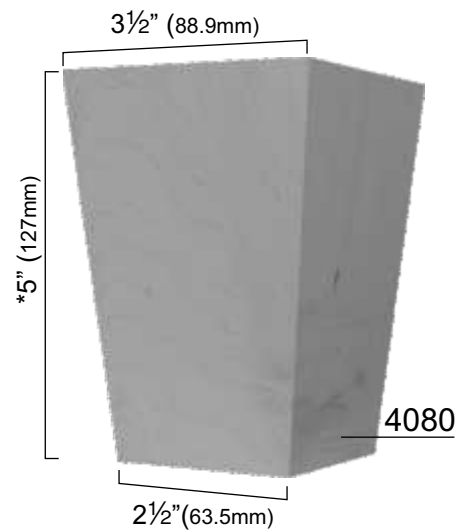
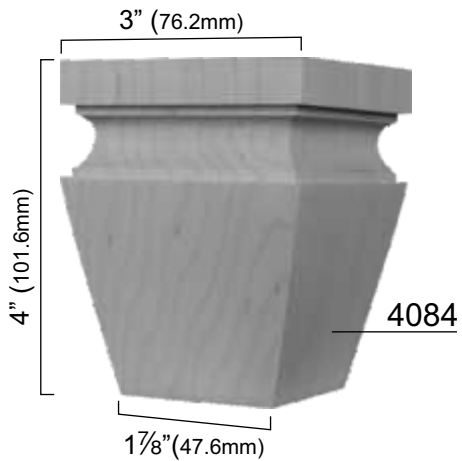
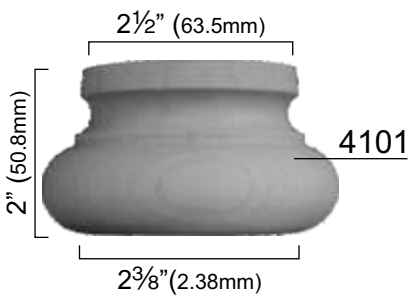
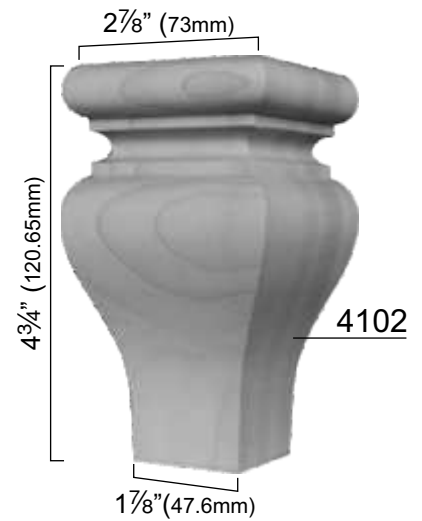
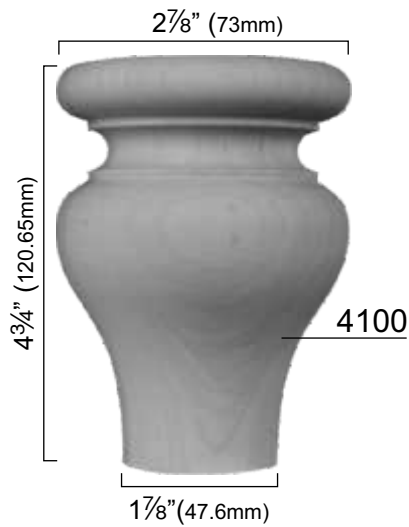
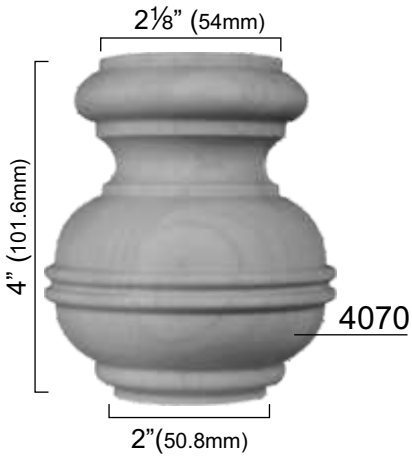
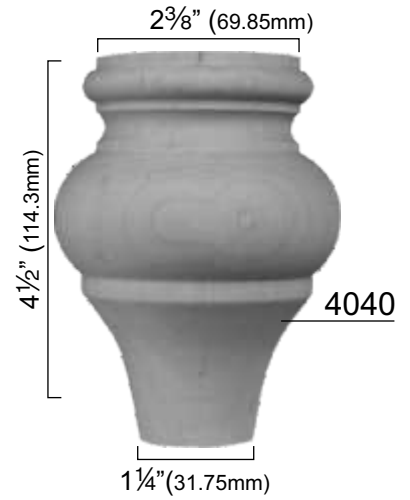
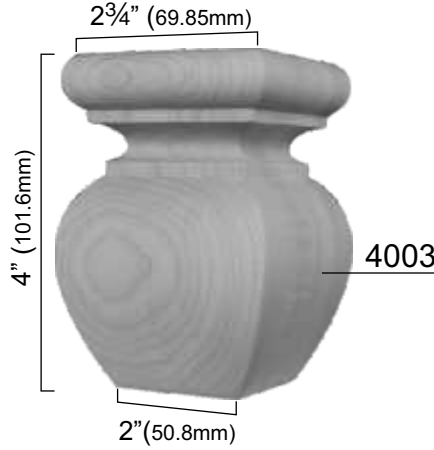
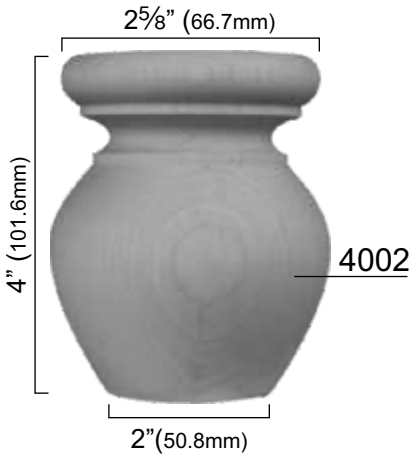


WOOD PRODUCTS
Accessories



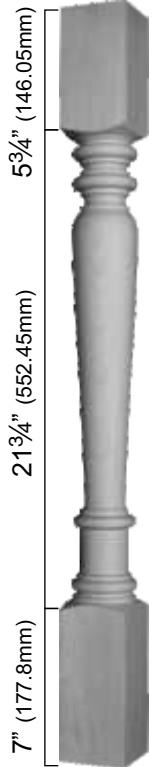
Bun Feet

WOOD PRODUCTS
Accessories



Cabinet Posts

3" (76.2mm)



1440

3 1/2" (88.9mm)



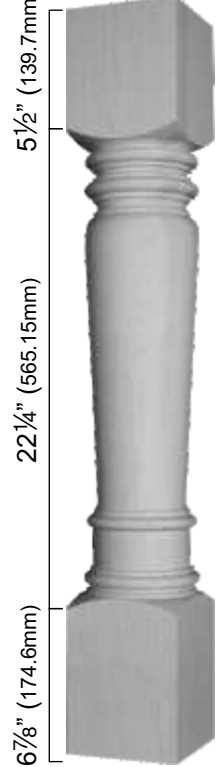
1450

4" (101.6mm)



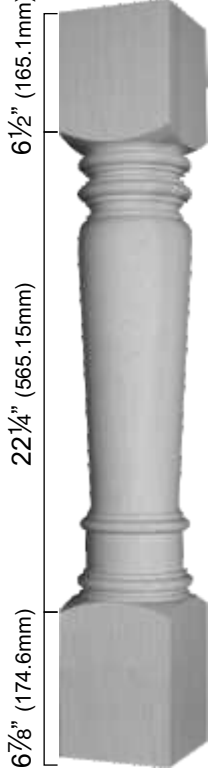
1451

5" (127mm)



1452

5" (127mm)



1752

3 1/2" (88.9mm)



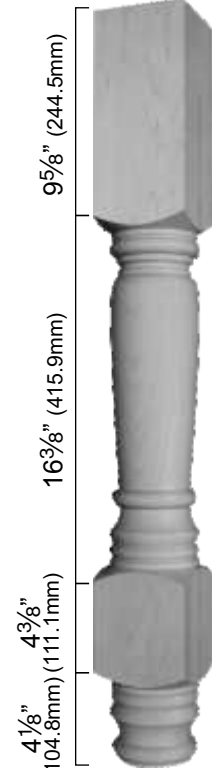
2425

3 1/2" (88.9mm)



2452

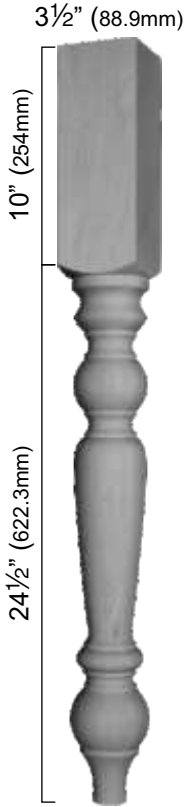
4" (101.6mm)



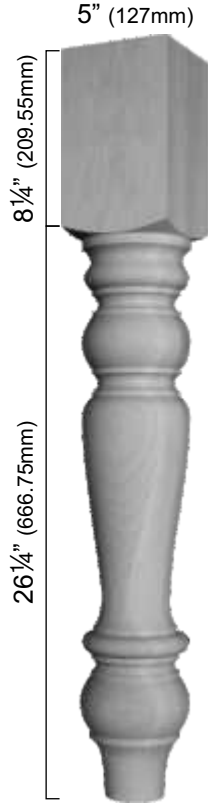
1472

WOOD PRODUCTS
 ACCESSORIES - Cabinet Posts

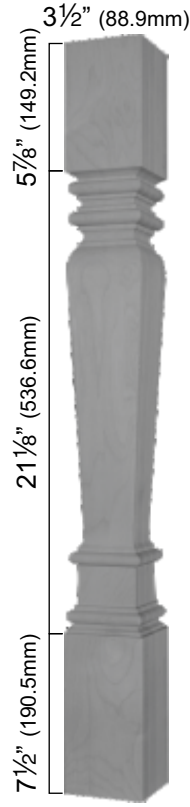
WOOD PRODUCTS
 2 Accessories



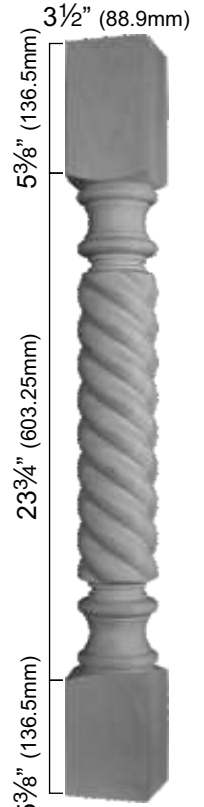
1408



1409



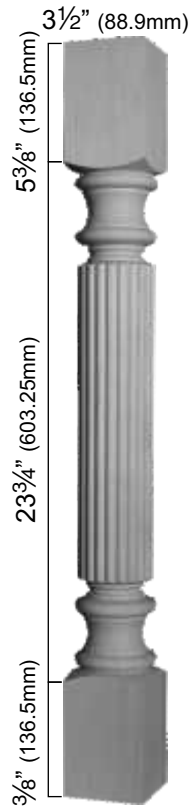
1435



1483



1446



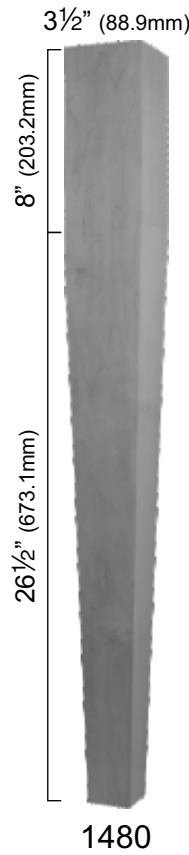
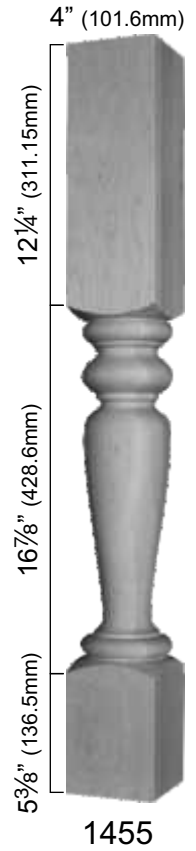
1456



2480

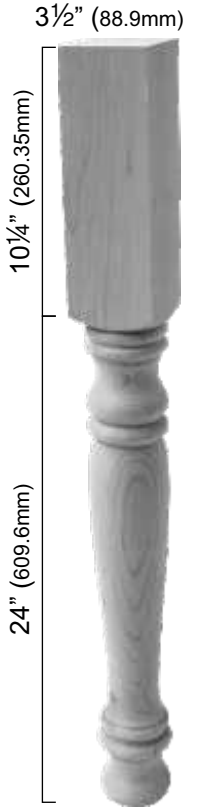


1454



WOOD PRODUCTS
 ACCESSORIES - Cabinet Posts

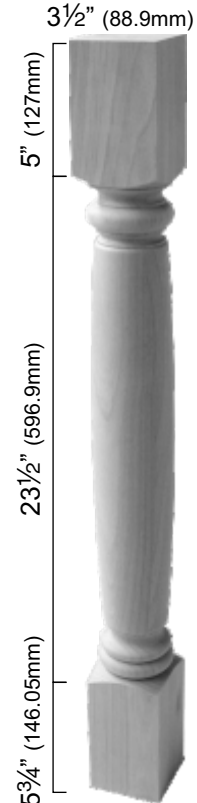
WOOD PRODUCTS
 2 Accessories



CP006-02



CP001-02



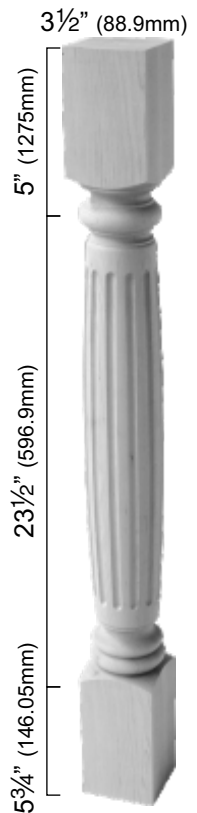
CP002-02



CP003-02



CP004-02



CP002-02 F



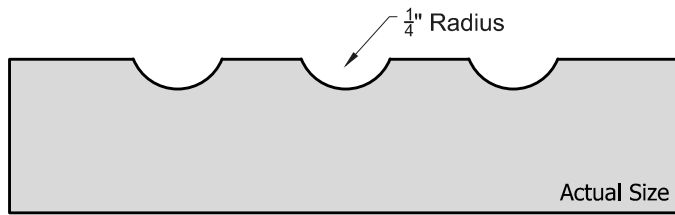
CP003-03 F



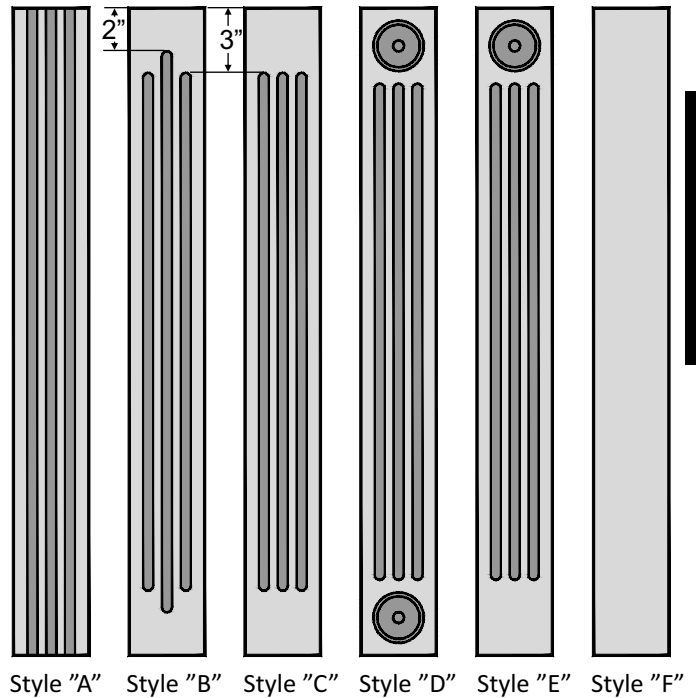
CP004-02 F

Fillers

Fillers are available in any custom fluted configuration, please include a sketch or drawing when ordering.



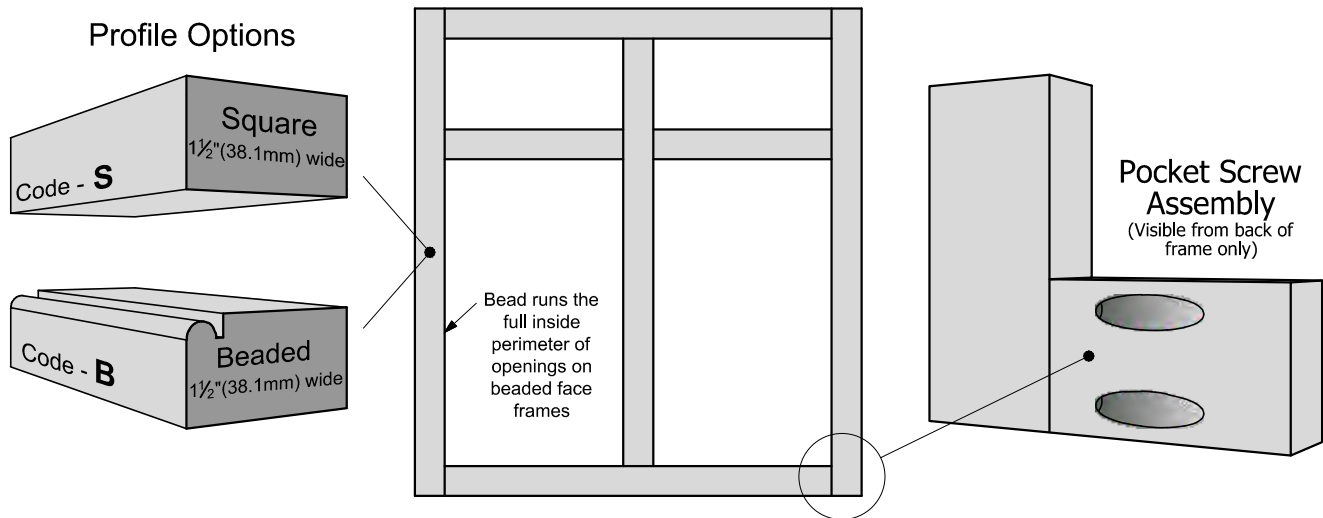
Filler Style	Default Quantity of Flutes				
	1 Flute	2 Flutes	3 Flutes	4 Flutes	5 Flutes
A	1 1/4" min	2 1/4" min	3" min	4" min	5" min
B	NA	NA	3" min	NA	5" min
C	1 1/4" min	2 1/4" min	3" min	4" min	5" min
D	NA	2 5/8" min	3" min	4" min	5" min
E	NA	2 5/8" min	3" min	4" min	5" min



WOOD PRODUCTS
 2 Accessories

Face Frames

All face frames are built custom according to your specification. The frames are constructed using a pocket screw joint and can have either a square or beaded inside profile. The frame width, number of openings and size of openings can be customized to suit your needs. Please fill out and submit the Face Frame order form on our website or go to AccessNow for a free quote. Contact your Customer Service Specialist with any questions.



Sheet Goods

Elias Woodwork can provide various sheet goods to accommodate your project needs. Some of these sheet goods are used in the manufacturing process which allows us to make them available to our customers as "cut to size" pieces, however some sheet goods are kept in stock to complement our product lines and are sold as "whole sheets" only. Please read each of the sheet goods descriptions to see whether they are "cut to size" or "whole sheets". See our website to see what we keep stocked. Each of the sheet goods products can be ordered finished to match doors, molding and accessories.

Wood Veneer 4' x 8' with 10 mil backer are not sold as cut-to-size and are available in 4' x 10' sheets by special order only. Delivery time is based on availability.

Wood Veneer 2' x 8' with Pressure Sensitive Adhesive backer (PSA by 3M) are not available as cut-to-size. Delivery time is based on availability.

Veneer on Veneer (Two Ply) is available in 4' x 8' sheets only. Delivery time is based on availability.

Veneer on 5.2mm core, 4' x 8', Good Two Sides (G2S) can be ordered as 4' x 8' sheets or cut-to-size. Veneers are bonded to a 5.2mm core. Please note that when ordering cut-to-size that the grain runs in the direction of the height dimension.

Veneer on 3/8" core, 4' x 8', Good Two Sides (G2S) can be ordered as 4' x 8' sheets or cut-to-size. Veneers are bonded to a 3/8" core. Please note that when ordering cut-to-size that the grain runs in the direction of the height dimension.

Veneer on 5/8" core, 4' x 8', Good Two Sides (G2S) can be ordered in 4' x 8' sheets or cut-to-size. Veneer is bonded to a 5/8" core. Orders requiring edgebanding must indicate which edges are to be edgebanded. Please note that when ordering cut-to-size that the grain runs in the direction of the height dimension.

Veneer on 3/4" core, 4' x 8', Good Two Sides (G2S) can be ordered in 4' x 8' sheets or cut-to-size. Veneer is bonded to a 3/4" core. Orders requiring edgebanding must indicate which edges are to be edgebanded. Please note that when ordering cut-to-size that the grain runs in the direction of the height dimension.

Wood Range Hoods

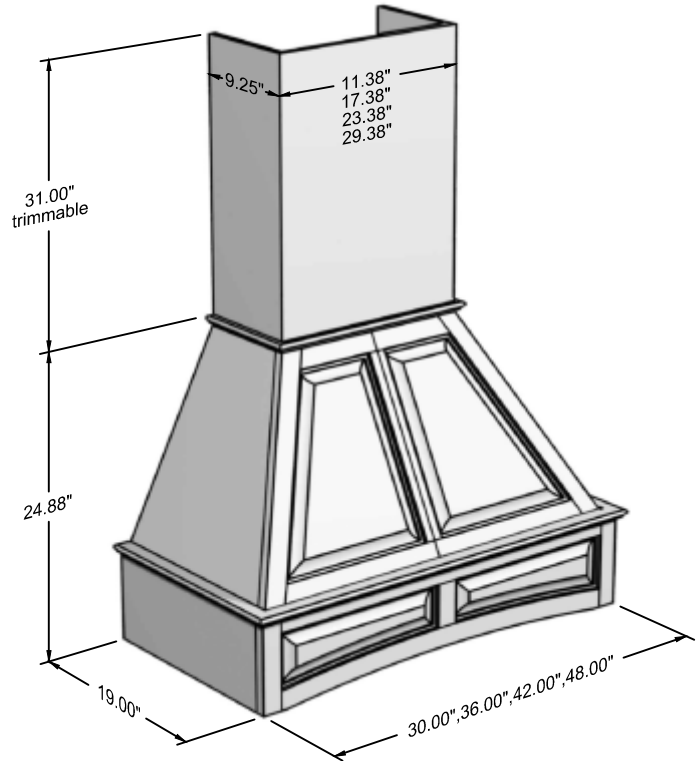
All range hoods are assembled and include the silver metal liner, they also include mounting hardware, as well as every nut and bolt you require for a complete installation. The silver metallic liner has a cut-out that will house any of the listed Broan ventilators. These Broan ventilators are sold separately and are listed in this section as well. You may choose from a 250 CFM, 390 CFM or a 500 CFM ventilator. We also can supply a 1,100 CFM or a 1,500 CFM unit if required, please inquire on these units. Each of the ventilators can be used in any of the range hoods listed in this section. The Deluxe Arched Signature Hood, Euro Wood Hood and Signature Hood wall mount do not have the chimney included with the kit; please see below for a chimney if required. The Artisan Series has a 12" straight section on the top that you may need to trim down to fit into



your project. The Mantel style hood allows you to add doors or accent panels of your choice to create a mantel style design. The Mantel kits include side gables, silver metal liner, mounting hardware and a wall mounting board.

Deluxe Arched Signature Range Hoods

- Prefabricated and designed for easy installation
- Features a patent pending French Cleat hanging method in which the beveled edge of the range hood slides behind reverse beveled edge of mounting board.
- Silver metallic powder coated liner included.
- The chimneys are sold separately.
- Broan ventilation power module sold separately.

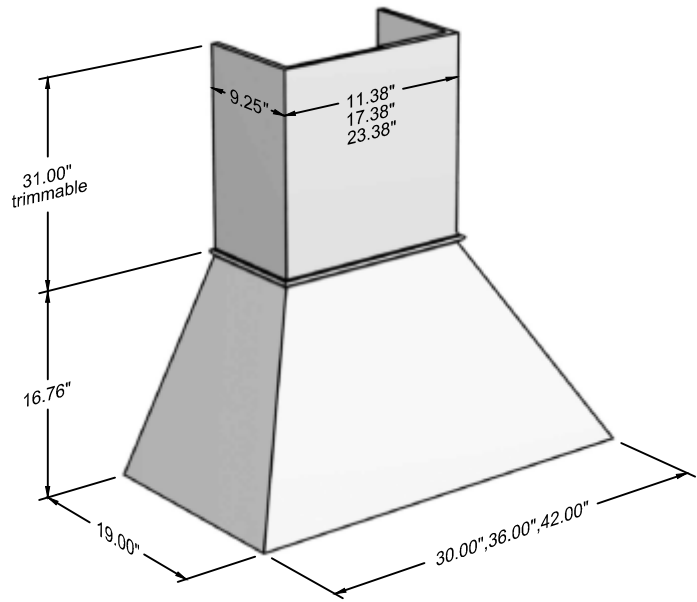


Deluxe Arched Signature Range Hood

Hood Product Code	Wood Species	Width	Availability	Chimney Code
DASO30	Red Oak, Flat Cut	30"	1-2 weeks	CHO30
DASM30	White Maple, Flat Cut	30"	1-2 weeks	CHM30
DASC30	Cherry, Flat Cut	30"	1-2 weeks	CHC30
DASH30	Hickory, Flat Cut	30"	3-4 weeks	CHH30
DASA30	Clear Alder, Flat Cut	30"	3-4 weeks	CHA30
DASO36	Red Oak, Flat Cut	36"	1-2 weeks	CHO36
DASM36	White Maple, Flat Cut	36"	1-2 weeks	CHM36
DASC36	Cherry, Flat Cut	36"	1-2 weeks	CHC36
DASH36	Hickory, Flat Cut	36"	3-4 weeks	CHH36
DASA36	Clear Alder, Flat Cut	36"	3-4 weeks	CHA36
DASO42	Red Oak, Flat Cut	42"	3-4 weeks	CHO42
DASM42	White Maple, Flat Cut	42"	3-4 weeks	CHM42
DASC42	Cherry, Flat Cut	42"	3-4 weeks	CHC42
DASH42	Hickory, Flat Cut	42"	3-4 weeks	CHH42
DASA42	Clear Alder, Flat Cut	42"	3-4 weeks	CHA42
DASO48	Red Oak, Flat Cut	48"	3-4 weeks	CHO48
DASM48	White Maple, Flat Cut	48"	3-4 weeks	CHM48

Euro Wood Range Hood

- Prefabricated and designed for easy installation
- Features a patent pending French Cleat hanging method in which the beveled edge of the range hood slides behind reverse beveled edge of mounting board.
- Silver metallic powder coated liner included.
- The chimneys are sold separately.
- Broan ventilation power module sold separately.

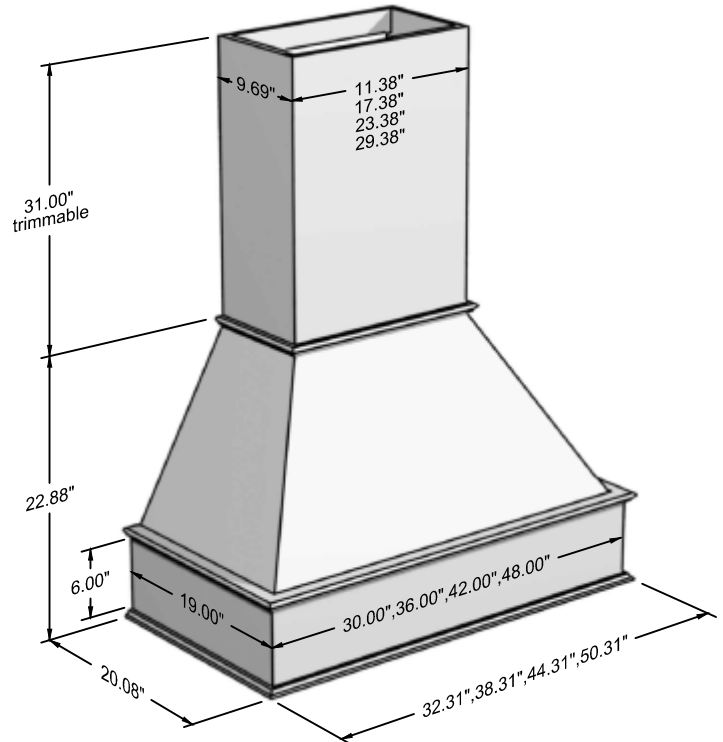


Euro Wood Range Hood

Hood Product Code	Wood Species	Width	Availability	Chimney Code
EWRO30	Red Oak, Flat Cut	30"	1-2 weeks	CHO30
EWRM30	White Maple, Flat Cut	30"	1-2 weeks	CHM30
EWRC30	Cherry, Flat Cut	30"	1-2 weeks	CHC30
EWRH30	Hickory, Flat Cut	30"	3-4 weeks	CHH30
EWRA30	Clear Alder, Flat Cut	30"	3-4 weeks	CHA30
EWRO36	Red Oak, Flat Cut	36"	1-2 weeks	CHO36
EWRM36	White Maple, Flat Cut	36"	1-2 weeks	CHM36
EWRC36	Cherry, Flat Cut	36"	1-2 weeks	CHC36
EWRH36	Hickory, Flat Cut	36"	3-4 weeks	CHH36
EWRA36	Clear Alder, Flat Cut	36"	3-4 weeks	CHA36
EWRO42	Red Oak, Flat Cut	42"	3-4 weeks	CHO42
EWRM42	White Maple, Flat Cut	42"	3-4 weeks	CHM42
EWRC42	Cherry, Flat Cut	42"	3-4 weeks	CHC42
EWRH42	Hickory, Flat Cut	42"	3-4 weeks	CHH42
EWRA42	Clear Alder, Flat Cut	42"	3-4 weeks	CHA42

Signature Series, Straight Front, Wall Mount Range Hood

- Prefabricated and designed for easy installation
- Features a patent pending French Cleat hanging method in which the beveled edge of the range hood slides behind reverse beveled edge of mounting board.
- Silver metallic powder coated liner included.
- The chimneys are sold separately.
- Broan ventilation power module sold separately.



Signature Series, Straight Front, Wall Mount Wood Range Hood

Hood Product Code	Wood Species	Width	Availability	Chimney Code
SSFO30	Red Oak, Flat Cut	30"	1-2 weeks	CHO30
SSFM30	White Maple, Flat Cut	30"	1-2 weeks	CHM30
SSFC30	Cherry, Flat Cut	30"	1-2 weeks	CHC30
SSFH30	Hickory, Flat Cut	30"	3-4 weeks	CHH30
SSFA30	Clear Alder, Flat Cut	30"	3-4 weeks	CHA30
SSFO36	Red Oak, Flat Cut	36"	1-2 weeks	CHO36
SSFM36	White Maple, Flat Cut	36"	1-2 weeks	CHM36
SSFC36	Cherry, Flat Cut	36"	1-2 weeks	CHC36
SSFH36	Hickory, Flat Cut	36"	3-4 weeks	CHH36
SSFA36	Clear Alder, Flat Cut	36"	3-4 weeks	CHA36
SSFO42	Red Oak, Flat Cut	42"	3-4 weeks	CHO42
SSFM42	White Maple, Flat Cut	42"	3-4 weeks	CHM42
SSFC42	Cherry, Flat Cut	42"	3-4 weeks	CHC42
SSFH42	Hickory, Flat Cut	42"	3-4 weeks	CHH42
SSFA42	Clear Alder, Flat Cut	42"	3-4 weeks	CHA42
SSFO48	Red Oak, Flat Cut	48"	3-4 weeks	CHO48
SSFM48	White Maple, Flat Cut	48"	3-4 weeks	CHM48
SSFC48	Cherry, Flat Cut	48"	3-4 weeks	CHC48
SSFH48	Hickory, Flat Cut	48"	3-4 weeks	CHH48
SSFA48	Clear Alder, Flat Cut	48"	3-4 weeks	CHA48

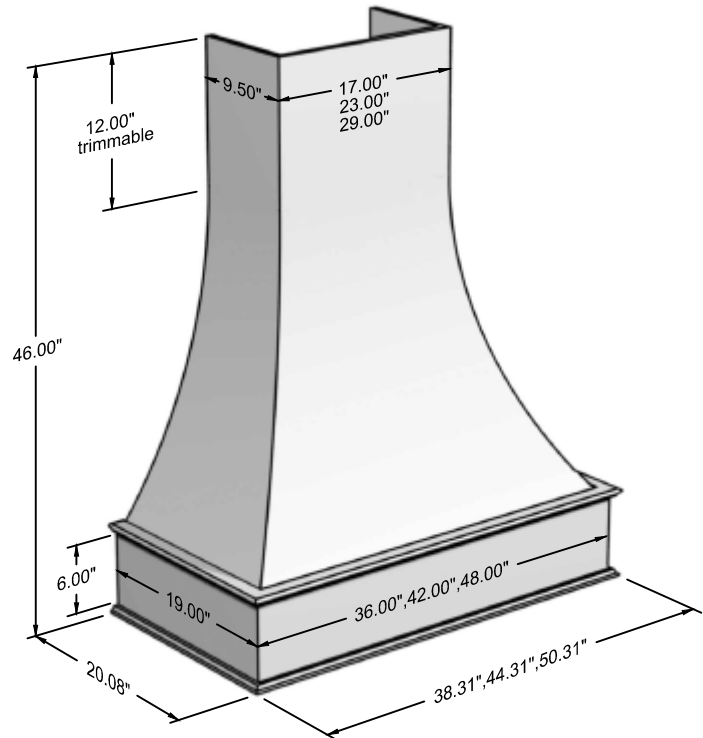
WOOD PRODUCTS

ACCESSORIES - Wood Range Hoods

WOOD PRODUCTS
Accessories

Artisan Series Wood Range Hood

- Prefabricated and designed for easy installation
- Features a patent pending French Cleat hanging method in which the beveled edge of the range hood slides behind reverse beveled edge of mounting board.
- Silver metallic powder coated liner included.
- Broan ventilation power module sold separately.

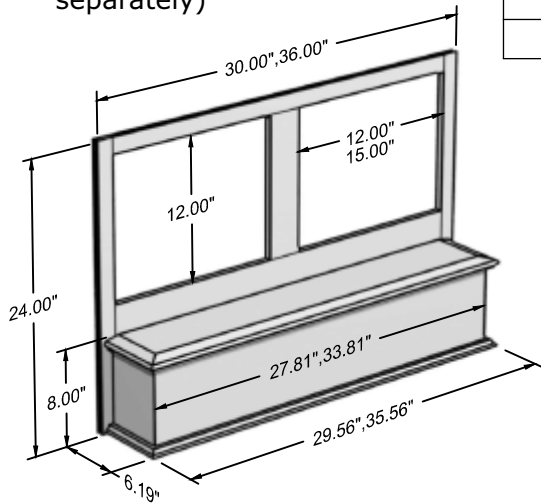


Artisan Wood Range Hood

Hood Product Code	Wood Species	Width	Availability
ASWO36	Red Oak, Flat Cut	36"	3-4 weeks
ASWM36	White Maple, Flat Cut	36"	3-4 weeks
ASWC36	Cherry, Flat Cut	36"	3-4 weeks
ASWA36	Clear Alder, Flat Cut	36"	3-4 weeks
ASWO42	Red Oak, Flat Cut	42"	3-4 weeks
ASWM42	White Maple, Flat Cut	42"	3-4 weeks
ASWC42	Cherry, Flat Cut	42"	3-4 weeks
ASWA42	Clear Alder, Flat Cut	42"	3-4 weeks
ASWO48	Red Oak, Flat Cut	48"	3-4 weeks
ASWM48	White Maple, Flat Cut	48"	3-4 weeks
ASWC48	Cherry, Flat Cut	48"	3-4 weeks
ASWA48	Clear Alder, Flat Cut	48"	3-4 weeks

Straight Accent Wood Range Hood

- Assembled and designed for easy installation.
- Simply attaches to adjacent cabinets.
- Add cabinet doors or design panels above valance to create a custom look
- Silver metallic powder coated liner included (ventilators sold separately)

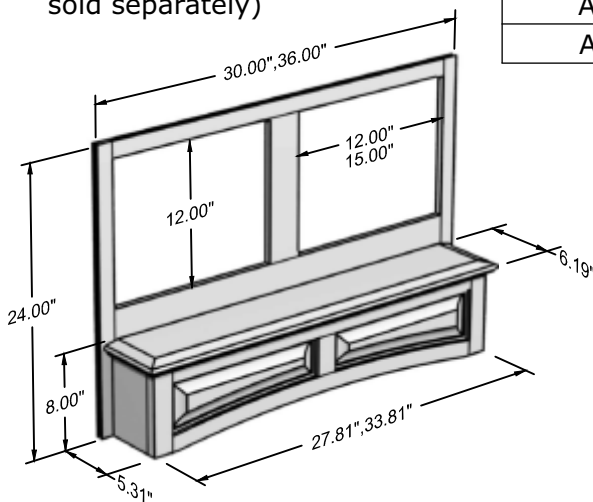


Hood Product Code	Wood Species	Width	Availability
SAWO30	Red Oak, Flat Cut	30"	1-2 weeks
SAWM30	White Maple, Flat Cut	30"	1-2 weeks
SAWC30	Cherry, Flat Cut	30"	3-4 weeks
SAWH30	Hickory, Flat Cut	30"	3-4 weeks
SAWA30	Clear Alder, Flat Cut	30"	3-4 weeks
SAWO36	Red Oak, Flat Cut	36"	1-2 weeks
SAWM36	White Maple, Flat Cut	36"	1-2 weeks
SAWC36	Cherry, Flat Cut	36"	3-4 weeks
SAWH36	Hickory, Flat Cut	36"	3-4 weeks
SAWA36	Clear Alder, Flat Cut	36"	3-4 weeks

WOOD PRODUCTS
Accessories

Arched Accent Wood Range Hood

- Assembled and designed for easy installation.
- Simply attaches to adjacent cabinets.
- Add cabinet doors or design panels above valance to create a custom look
- Silver metallic powder coated liner included (ventilators sold separately)

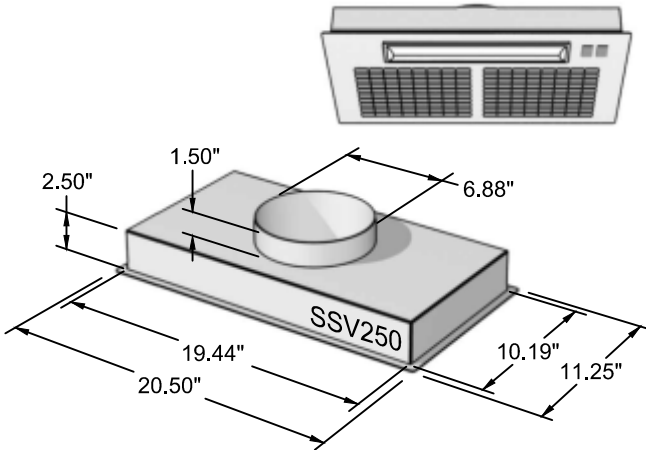


Hood Product Code	Wood Species	Width	Availability
AAWO30	Red Oak, Flat Cut	30"	1-2 weeks
AAWM30	White Maple, Flat Cut	30"	1-2 weeks
AAWC30	Cherry, Flat Cut	30"	3-4 weeks
AAWH30	Hickory, Flat Cut	30"	3-4 weeks
AAWA30	Clear Alder, Flat Cut	30"	3-4 weeks
AAWO36	Red Oak, Flat Cut	36"	1-2 weeks
AAWM36	White Maple, Flat Cut	36"	1-2 weeks
AAWC36	Cherry, Flat Cut	36"	3-4 weeks
AAWH36	Hickory, Flat Cut	36"	3-4 weeks
AAWA36	Clear Alder, Flat Cut	36"	3-4 weeks

Ventilators

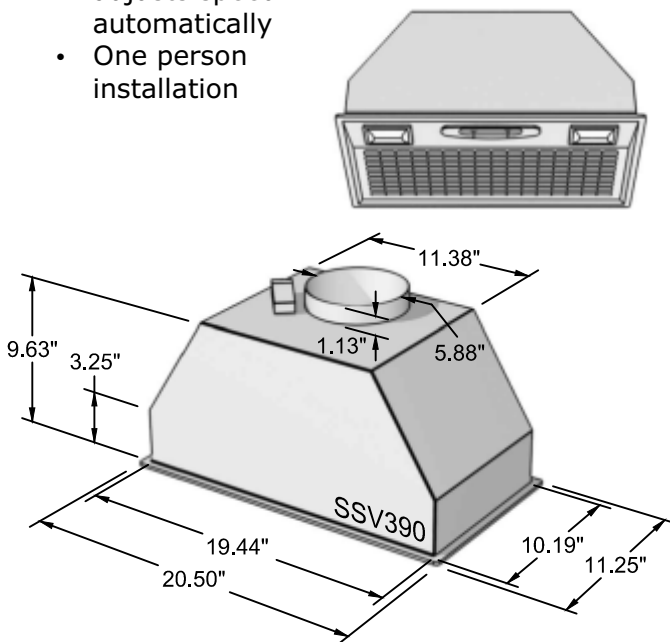
Signature Series Ventilator 250 - SSV250

- 250 CFM (cubic ft per minute)
- 8 sones (sound measurement)
- Silver metallic finish
- 2 speed motor with rocker control
- Dual 40 watt lighting (bulbs not included) NP40WATTBC
- One person installation



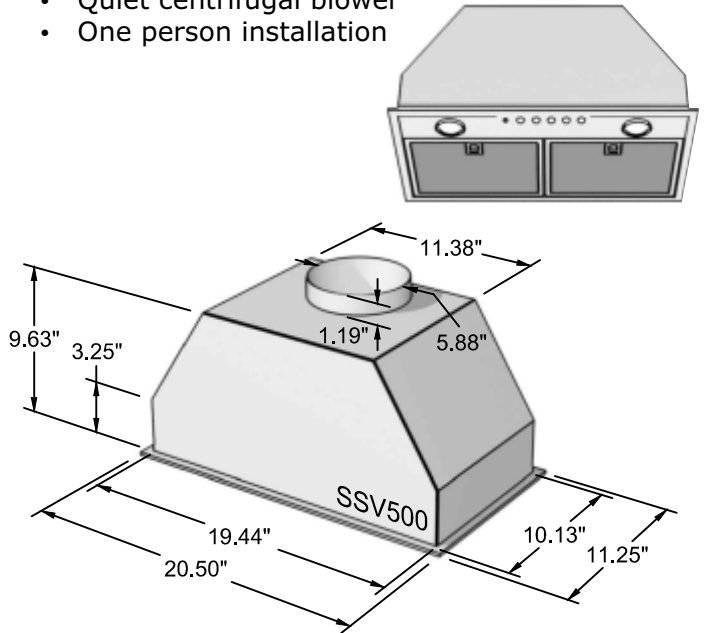
Signature Series Ventilator 390 - SSV390

- 390 CFM (cubic ft per minute)
- 6 sones (sound measurement)
- Silver metallic finish
- 3 speed slide control
- Dual 40 watt lighting (bulbs not included) NP40WATTBC
- Heat sentry detects excessive heat and adjusts speed automatically
- One person installation



Signature Series Ventilator 500 - SSV500

- 500 CFM (cubic ft per minute)
- 8 sones (sound measurement)
- Stainless steel finish
- 3 speed push button control
- Two 20 watt halogen lamps included
- Heat sentry detects excessive heat and adjusts speed automatically
- Quiet centrifugal blower
- One person installation



Signature Series Ductless Conversion Kits

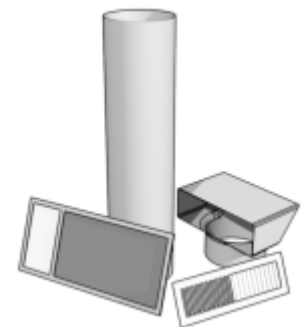
1. 250 and 390 CFM units - IDK250390

- Duct - 7" x 2'
- 90° conversion duct - 7" to 3 1/4" x 10"
- Charcoal filter
- Grill

2. 500 CFM unit

- IDK500

- Duct - 6" x 2'
- 90° conversion duct - 6" to 3 1/4" x 10"
- Elbow
- Charcoal filter
- Grill



Signature Series Bulbs

1. Individual bulb for 250 and 390 CFM ventilators

- SSB1

2. Box of 25 Bulbs for 250 and 390 CFM ventilators

- SSB25

2. Individual bulb for 500 CFM ventilator

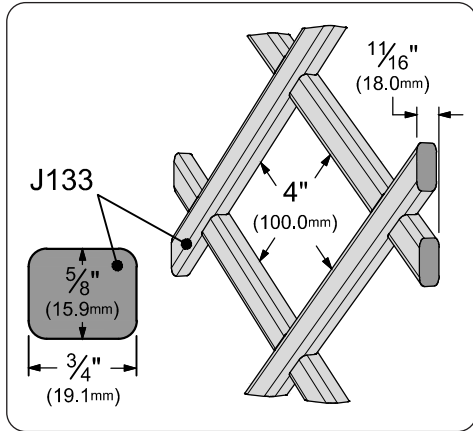
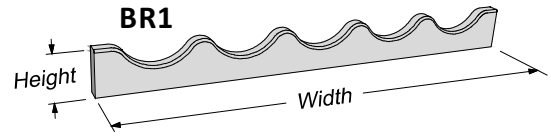
- SSB5001

4. Box of 2 bulbs for 500 CFM ventilator

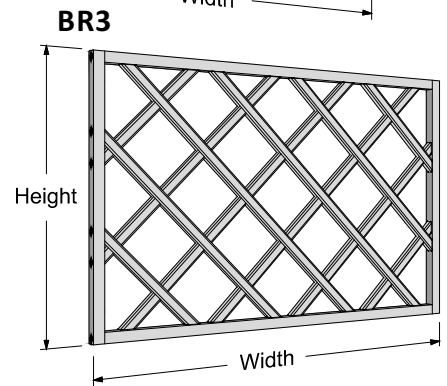
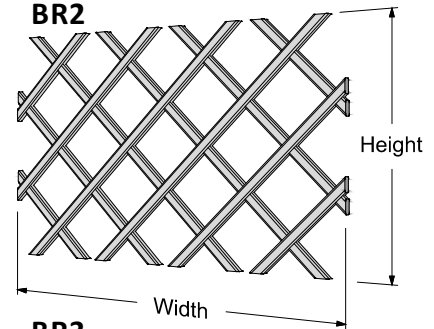
- SSB50025

Wine Racks

BR1 - This style of bottle rack can be customized to fit your cabinet. Please specify the width, height and wood species of the bottle rack. You will only need to supply the outside measurements for the piece in order for it to come centered correctly. The bottle rack is precision machined on CNC equipment and therefore it will come consistently to you each time you order it. Edges that come in contact with the bottles and fingers have a 1/8" radius; edges in contact with the cabinet have a square edge. The standard thickness is 3/4". This bottle rack is sold as a single unit. If you require one for the front and back you will need to order 2.



BR2 & BR3 - These are our unframed and framed lattice style bottle racks. The racks are made from a 5/8"x3/4" machined material with a radius on all four edges and has a cross cut dado cut on the back so each intersection forms a cross lap joint. Simply supply the outside dimensions and wood species. The bottle pattern will be centred for you, making optimum use of the available space. The BR3



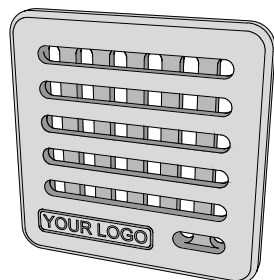
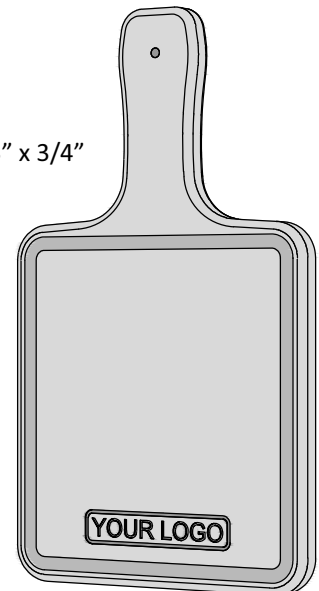
framed lattice is framed with 3/4" x 3/4" material that is screwed to the lattice. (These screws will get covered when installed in the cabinet.) The bottle opening space is 4"x4". Most applications will require a rack in the front of the cabinet and one in the back. Please order two racks if this is your intended application. The machined sticks, **J133** can be ordered by the linear foot if you would like to assemble the lattice yourself.

Promotional Items

Elias Woodwork manufactures wooden promotional items on a regular basis. The appetizer plates and hot pot trivets are practical items many of our furniture stores and cabinet makers use as give-aways to help promote their business. They are made available to you with your name or logo machined into them at a very low cost in lots of 100 or more. They can be purchased individually with the Elias Woodwork logo. We consider these promotional items for our company as well and price them accordingly.

Mini Cutting Board

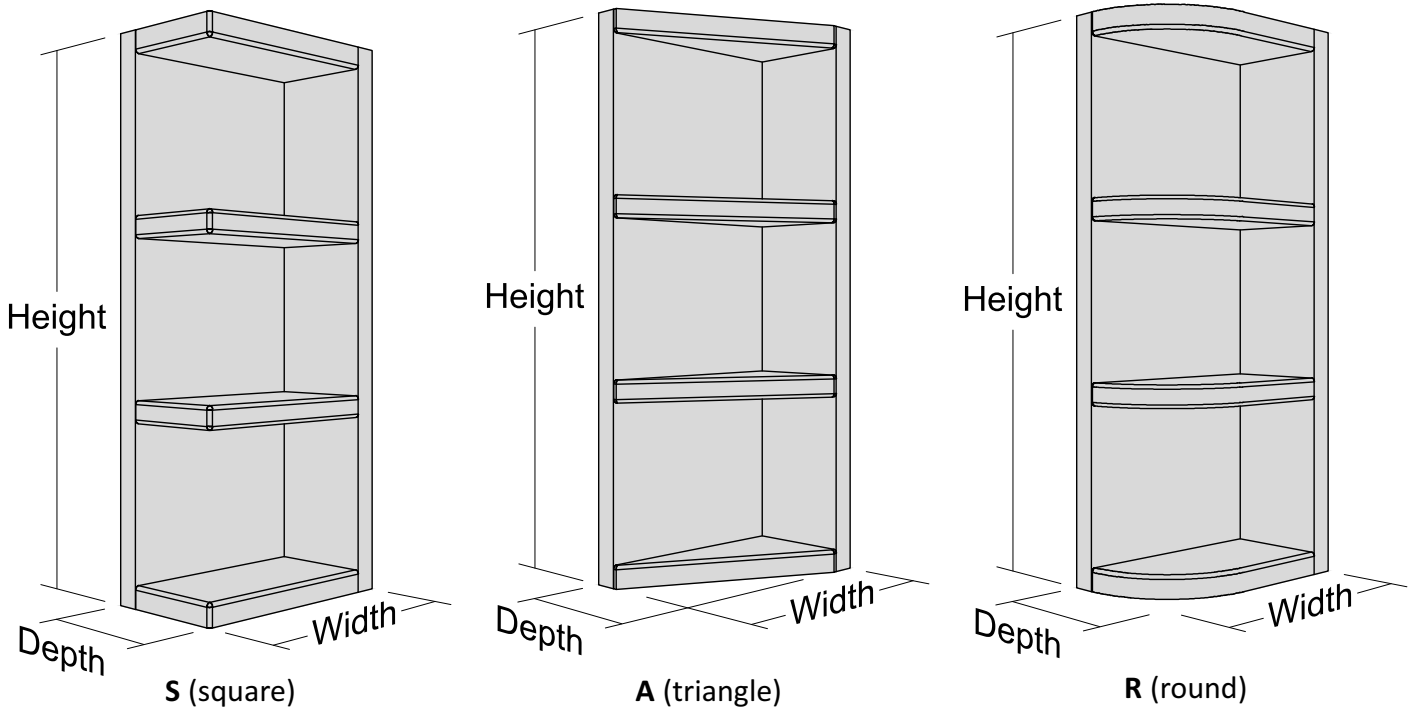
- TC** (Customer Logo)
- TE** (Elias Logo)
- TN** (No Logo)
- Actual size: 5 1/2" x 5 1/2"
- Maximum engraving size: 3" x 3/4"



- Trivet**
- TC** (Customer Logo)
- TE** (Elias Logo)
- TN** (No Logo)
- Actual size: 5 1/2" x 5 1/2"
- Maximum engraving size: 3" x 3/4"

Knick Knack Shelves

Corner shelf kits can be ordered knock down or assembled. Our standard default when sending you an estimate is knock down, so please specify if you require this to be assembled. The standard shelf unit comes with the two wall pieces and top and bottom shelf, so if more shelves are required, please specify how many extra you require. These “knick knack” shelves can be made in a large range of our product offerings, from wood to RTF (rigid thermofoil), to painted and TFM (thermofused melamine). The shelves are made to order so they are also quite customizable, making them versatile and useful. There are some limitations on how it can be manufactured due to the different products being used so please review the diagrams for clarification or call your Customer Service Specialist.



Floating Shelves

Elias Woodwork Floating Shelves have a hollow core and can be ordered in wood, thermofoil or laminate finishes. They come with a standard height of 2 ½” and a depth of 10” or 12”. The length is customizable up to 96”. They come supplied with a backer board and brackets for easy mounting. It is recommended that you mount the brackets into studs.

Key Features:

- No seams - tight mitered edges
- 20 lbs per foot load limit using 16 gauge metal brackets
- Preinstalled clips for easy mounting, no need for silicone
- Plywood mounting cleat for added strength

